

PII-ANT003

Canister Antenna Mounting Kit (side mount on pole or wall) – Installation Instruc-

1.0 General

Read the following instructions carefully to ensure that installation of a Kaelus Canister Antenna with mounting bracket are performed safely and correctly.

2.0 Installation Safety

The installer should always be cautious of their surroundings and assume that all neighboring wires and cables could be live with potentially dangerous or even lethal levels of AC or DC power, or RF energy. This includes telephone wires in addition to commonly used radio telecommunications cables.

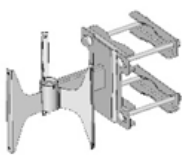
3.0 Product information and functionality

The packing box contains:

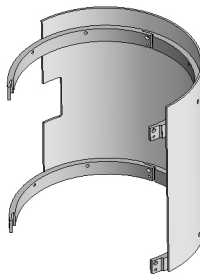
- KIT-000039 – Mounting Bracket for Canister Antenna: Side mount pole [Ø 2.4-4.6 in] or wall.

This document describes how to install a Kaelus Canister Antennas with the above listed kit.

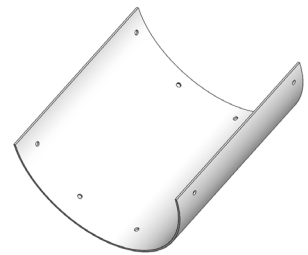
3.1 What's in the box?



1x Pre-assembled mounting bracket



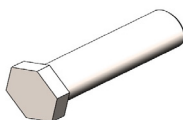
1x RDM-000038 Pre-assembled shroud
[with support SPT-000055(4x) and
SCR-000017-V4]



1x RDM-000037: Shroud



2x SPT-000055:
Support



1x SCR-000177-V1
(M22x2.5 L80)



10x SCR-000017-V4
(M5x16 PH)



4x SCR-000008-V1
(M4x6 FH)

PII-ANT003

Canister Antenna Mounting Kit (side mount on pole or wall) – Installation Instruc-

4.0 Installation

There are two variations on the installation instructions which are dependent on the use or non-use of the included shroud:

- 4.1 INSTALLATION – With Shroud
- 4.2 INSTALLATION – Without Shroud

Tools required for assembly are:

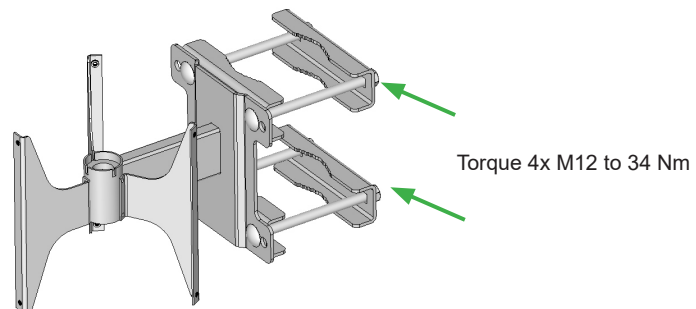
- Standard metric wrench set
- Torque wrench
- T20 screw driver
- T25 screw driver
- Loctite 243 (or equivalent)

4.1 Installation – With Shroud

4.1.1 Step 1

Mount the preassembled bracket to the pole.

Tighten clamp with 4xM12 nut to 34 Nm.



PII-ANT003

Canister Antenna Mounting Kit (side mount on pole or wall) – Installation Instruc-

4.1.2 Step 2

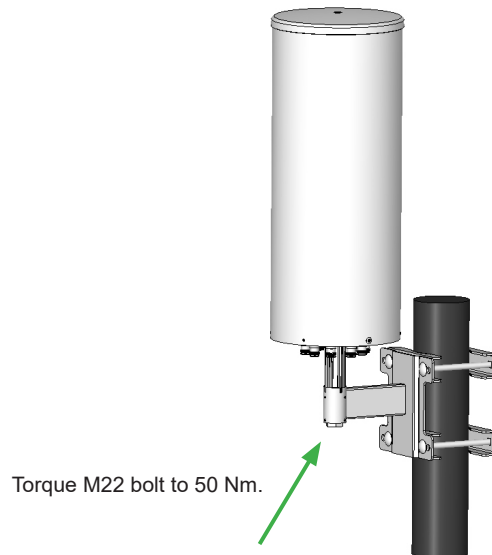
Mount the Antenna to the bracket and orient in preferred Zero direction. (0 degree indicator is located on Antenna bottom) using the M22 bolt with a torque of 50Nm.

Use loctite 243 (or equivalent), and tighten firmly by hand.

4.1.3 Step 3

Connect the RF cables to the ports located at the base of the antenna.

The ports are color coded in accordance to AISG Standard Antenna Port Colour Coding V3.2.1.

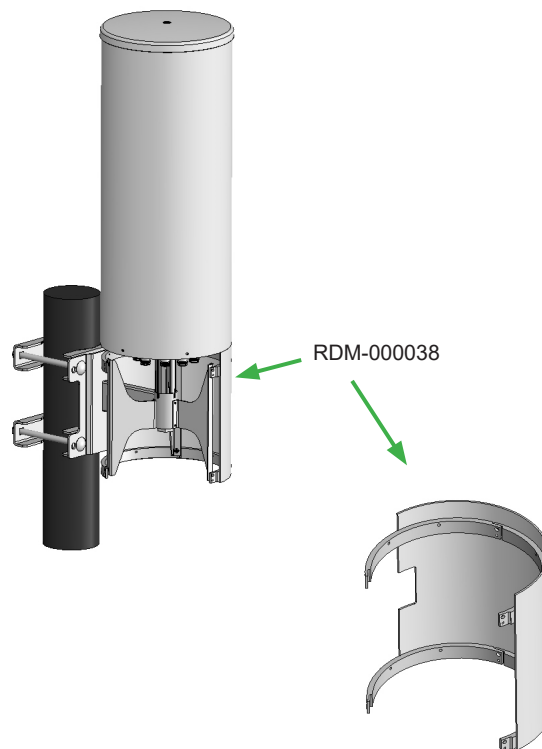


PII-ANT003

Canister Antenna Mounting Kit (side mount on pole or wall) – Installation Instruc-

4.1.5 Step 5

Mount the pre-assembled shroud [RDM-000038] to the bracket assembly with 2x SCR-000017-V4 (M5x16 PH).



4.1.6 Step 6

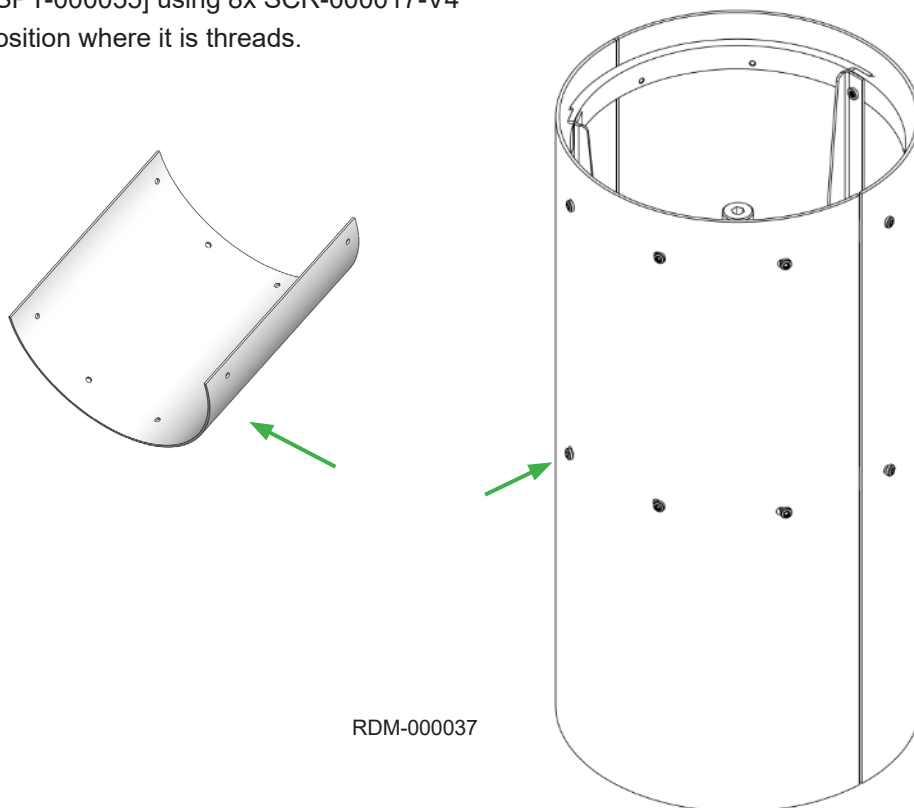
Attach the shroud supports [2x SPT-000055] using 4x SCR-000008-V1.

PII-ANT003

Canister Antenna Mounting Kit (side mount on pole or wall) – Installation Instruc-

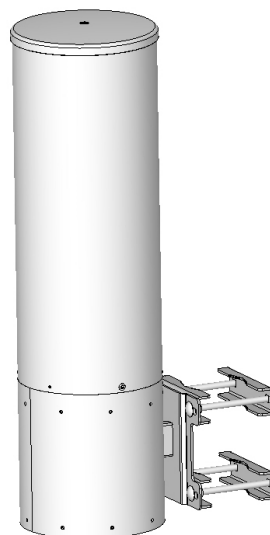
4.1.7 Step 7

Attach the shroud section [RDM-000037] to the supports [2x SPT-000055] using 8x SCR-000017-V4 at all of the position where it is threads.



4.1.8 Step 8

Antenna and bracket installation is complete.



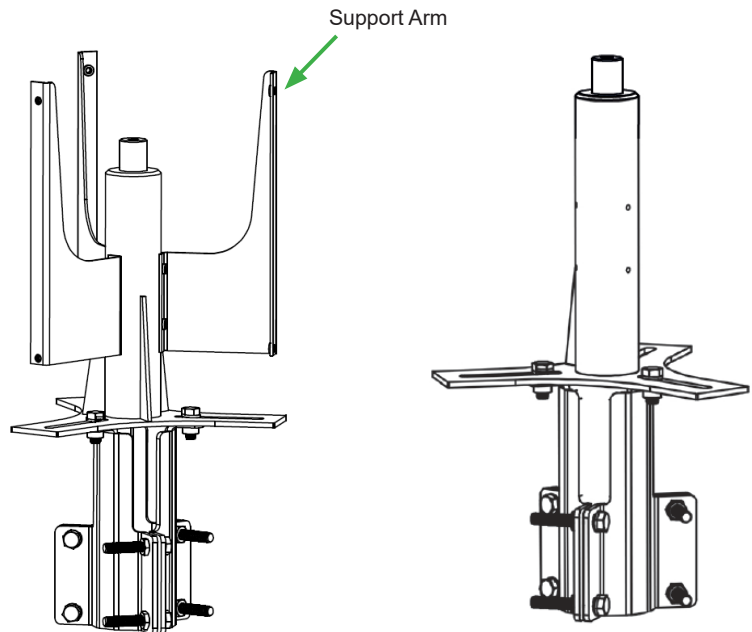
PII-ANT003

Canister Antenna Mounting Kit (side mount on pole or wall) – Installation Instruc-

4.2 Installation – Without Shroud

4.2.1 Step 1

Remove the support arms from the preassembled bracket.

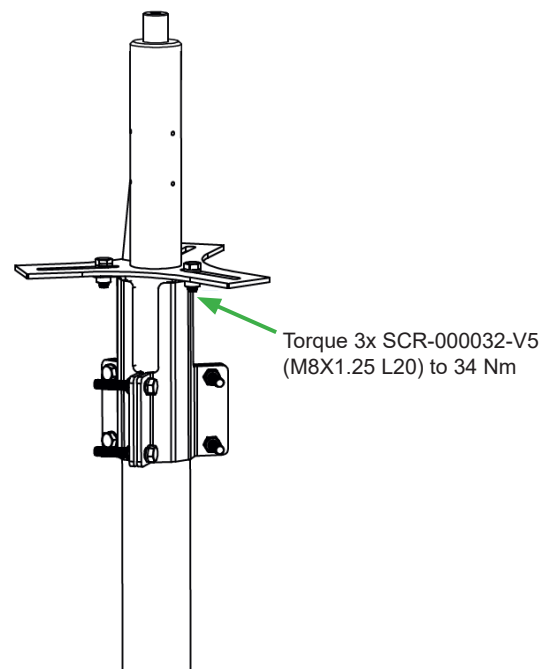


4.2.2 Step 2

Mount the bracket to the pole.

Tighten 3x SCR-000032-V5 to 34 Nm.

The bracket is preassembled with SCR-000032-V7 (M8x1.25 L50). For larger poles, use the lon



PII-ANT003

Canister Antenna Mounting Kit (side mount on pole or wall) – Installation Instruc-

4.2.3 Step 3

Mount the Antenna to the bracket.

Use loctite 243 (or equal), and tighten firmly by hand.

4.2.4 Step 4

Orient antenna in preferred zero-direction (0° indicator is located on antenna bottom) and tighten 6x SCR-000032-V6/7 to 34 Nm

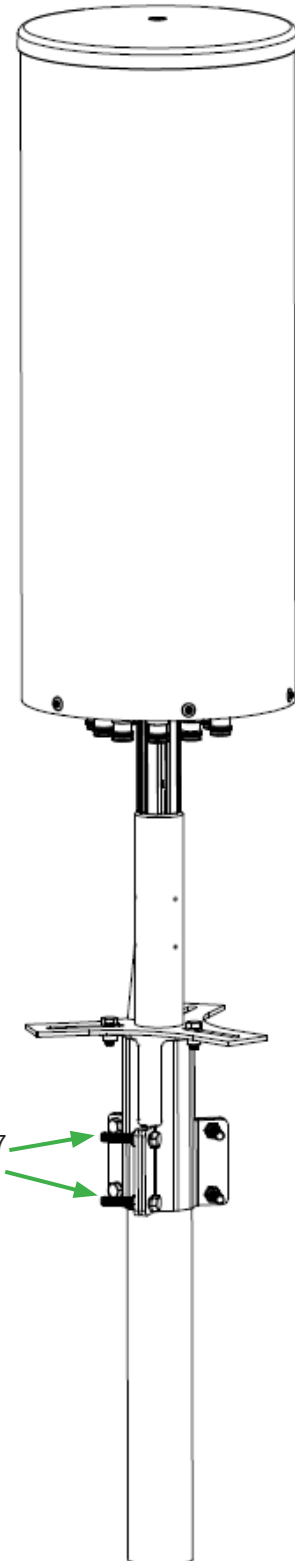
4.2.5 Step 5

Connect the RF cables to the ports located at the base of the antenna.

The ports are color coded in accordance to AISG Standard Antenna Port Colour Coding V3.2.1.

4.2.6 Step 6

Antenna and bracket installation is complete.



Torque 6x SCR-000032-V7
(M8x1.25 L50) to 34 Nm