



MI-527nn Diplexer 700/800 MHz

The MI-527nn family of cavity diplexer products, include:

- MI-527n1, all ports DC grounded
- MI-527n2, diplexer with DC/AISG on Common – High & Low Band
- MI-527n3, diplexer with DC/AISG on Common - High Band, Low port DC grounded
- MI-527n4, diplexer with DC/AISG on Common - Low Band, High port DC grounded
- MI-527nA, auto-sense



This picture is showing MI-52743

MASS™

Microdata Advanced Site Solutions

With our expertise in site system design we are able to provide a solution for any site sharing or upgrade scenario.

Our focus area is RF-filter based solutions including combiners, multi band TMAs, di-, tri- and quadruplexers.

Our product portfolio supports all frequencies for mobile communication bands ranging from 450 MHz to 6 GHz.

Site and network sharing makes it cost efficient to reach sparsely populated areas where new subscribers can contribute to revenue.

MASS™

Advantage

Increases coverage
more traffic & higher ARPU

Increases capacity
more traffic & higher ARPU

Reduces the cost
of network expansion

Minimizes
site acquisition issues

Specifications

Low band		
Frequency Band	703 - 778 MHz (MI-5270n, MI-5271n, MI-5273n, MI-5274n) 713 - 788 MHz (MI-5275n, MI-5276n, MI-5277n, MI-5278n)	
Insertion Loss	0.2 dB*, max 0.5 dB	
Return Loss	>18 dB	
Rejection High band	>50 dB 800 RX	>35 dB 800 TX
Continuous Average Power	150 W	
Intermodulation, 2x43 dBm TX Carrier	-117 dBm	
High Band		
Frequency Band	791 - 862 MHz (MI-5270n, MI-5271n, MI-5273n, MI-5274n) 801 - 862 MHz (MI-5275n, MI-5276n, MI-5277n, MI-5278n)	
Insertion Loss	0.2 dB*, max 0.5 dB	
Return Loss	>18 dB	
Rejection Low band	>50 dB 700 RX	>35 dB 700 TX
Continuous Average Power	150 W	
Intermodulation, 2x43 dBm TX Carrier	-117 dBm	
Environmental		
Operating Temperature Range	-40 to +65°C -40 to +149°F	
Operation	ETS 300 019-1-4 Class 4.1E	
Storage	ETS 300 019-1-1 Class 1.2	
Ingress Protection	IP67	
Electrical		
DC By Pass	3 A	With Auto-Sense 2A, drop max 2.4V
AISG pass	Yes	
AISG RL		> 12dB
AISG Loss		< 1 dB
MTBF		1 Mh min
Input Voltage Power		8-30 V max 0.3W
Safety	IEC/EN 62368-1	
Lightning Protection	5 kA 8/20 µs	5 kA 8/20 µs
Mechanical		
	Single Mount	Dual Mount
Dimensions (WxHxD)	170x173x56 mm 6.69x6.81x2.20 in	170x173x104 mm 6.69x6.81x4.09 in
With Auto-Sense	To be added	To be added
Volume (WxHxD)	1.6 l	3.0 l
With Auto-Sense		
Weight gross/net	To be added	4.9 kg/4.3 kg 10.8 lb/9.48 lb
Connectors	See Selection Guide	
Mounting	Hose clamps or wall mount (Supporter Pole Diameter: 40-140mm)	
Colour	NCS 1502-R	
Bracket	Included	
*typical		

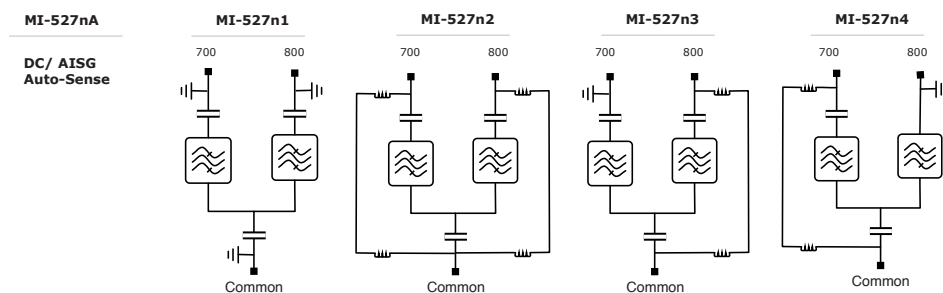
Selection Guide

		Connector (F)	
		7/16	4.3-10
Mount	Single	MI-5270n	MI-5273n
	Dual	MI-5271n	MI-5274n

Auto-Sense: MI-527nA

*The dual filter configuration is mounted on a single bracket for hose clamp or wall mount.

Block Diagram

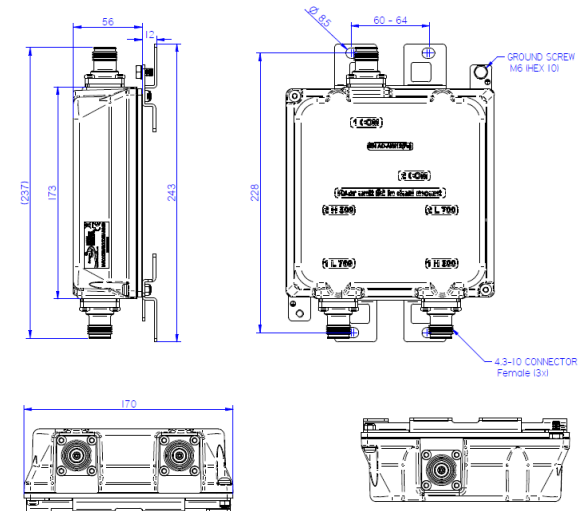


DC/AISG

	700	800
MI-527nA	Auto-Sense	
MI-527n1	Block	Block
MI-527n2	Pass	Pass
MI-527n3	Block	Pass
MI-527n4	Pass	Block

Mechanical Drawing

This picture is showing MI-5273n



This picture is showing MI-5274n

