



MI-548nn

Diplexer 1695-2200/2300-2700 MHz



*This photo is showing MI-548n

The MI-548nn family of cavity diplexer products include:

- **MI-548n1**, diplexer with all ports DC grounded
- **MI-548n2**, diplexer with DC/AISG on Common – High & Low Band
- **MI-548n3**, diplexer with DC/AISG on Common - High Band, Low port DC grounded
- **MI-548n4**, diplexer with DC/AISG on Common - Low Band, High port DC grounded
- **MI-548nA**, diplexer with DC/AISG Auto-Sense

MASS™

Microdata Advanced Site Solutions

With our expertise in site system design we are able to provide a solution for any site sharing or upgrade scenario.

Our focus area is RF-filter based solutions including combiners, multi band TMAs, di-, tri- and quadruplexers.

Our product portfolio supports all frequencies for mobile communication bands ranging from 450 MHz to 6 GHz.

Site and network sharing makes it cost efficient to reach sparsely populated areas where new subscribers can contribute to revenue.

MASS™

Advantage

Increases coverage
more traffic & higher ARPU

Increases capacity
more traffic & higher ARPU

Reduces the cost
of network expansion

Minimizes
site acquisition issues

Specifications

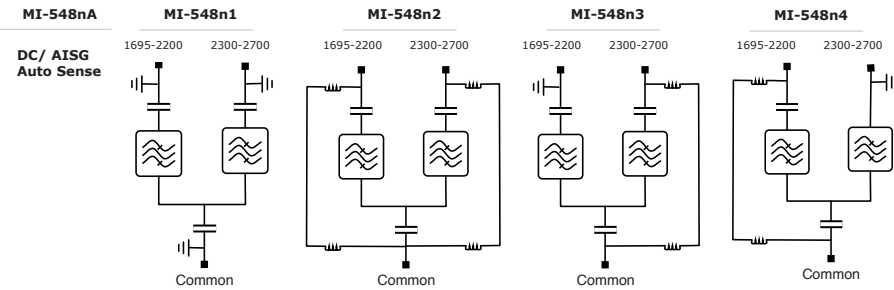
| Low band | | |
|--------------------------------------|---|-------------------------------------|
| Frequency Band | 1695 - 2200 MHz | |
| Insertion Loss | < 0.1 dB* | |
| Return Loss | > 18 dB | |
| Rejection high band | 50 dB | |
| Continuous Average Power | 250 W | |
| Intermodulation, 2x43 dBm TX Carrier | -117 dBm | |
| High band | | |
| Frequency Band | 2300 - 2700 MHz | |
| Insertion Loss | < 0.12 dB* | |
| Return Loss | > 18 dB | |
| Rejection low band | 50 dB | |
| Continuous Average Power | 250 W | |
| Intermodulation, 2x43 dBm TX Carrier | -117 dBm | |
| Environmental | | |
| Operating Temperature Range | -40 to +60°C -40 to +140°F | |
| Operation | ETS 300 019-1-4 Class 4.1E | |
| Storage | ETS 300 019-1-1 Class 1.2 | |
| Ingress Protection | IP67 | |
| Electrical | | With Auto-Sense |
| Lightning Protection | 10 kA 8/20 µs | 5 kA 8/20 µs |
| DC By Pass | 3 A | 2 A, drop max 2.4 V |
| AISG pass | Yes | |
| AISG RL | | >12 dB |
| AISG Loss | | < 1dB |
| Input Voltage Power | | 8-30 V max 0.3 W |
| Impedance | 50 Ω | 50 Ω |
| Mechanical | | 8:4 |
| Dimensions (WxHxD) | 239x110x48.5 mm 9.41x4.33x1.91 in | 239x110x89 mm 9.41x4.33x3.50 in |
| | With Auto-sense 239x110x60 mm 9.41x4.33x2.36 in | 239x110x118 mm 9.41x4.33x4.65 in |
| Volume | 1.3 l | 2.3 l |
| With Auto-sense | 1.6 l | 3.1 l |
| Weight | 2.6 kg 5.73 lb | 4.4 kg 9.70 lb |
| With Auto-Sense | 2.8 kg 6.17 lb | 5.0 kg 11.02 lb |
| Connectors | 2XANT, 4XBTS | |
| Mounting | Hose clamps or wall mount (Supporter Pole Diameter: 40-140mm) | |
| Colour | NCS 1502-R | |
| Bracket | Included | |
| Shipping Information | | 8:4 |
| Carton Size | 275x215x110 mm 10.83x8.46x4.33 in | TBA |
| Carton Qty/Pallet | 72 | |
| *typical | | |

Selection Guide

| | Connector (Female, long neck) | |
|-----|-------------------------------|----------|
| | 7/16 | 4.3-10 |
| 4:2 | MI-5480n | MI-5483n |
| 8:4 | MI-5481n | MI-5484n |

Auto-Sense: MI-548nA

Block Diagram



DC/AISG

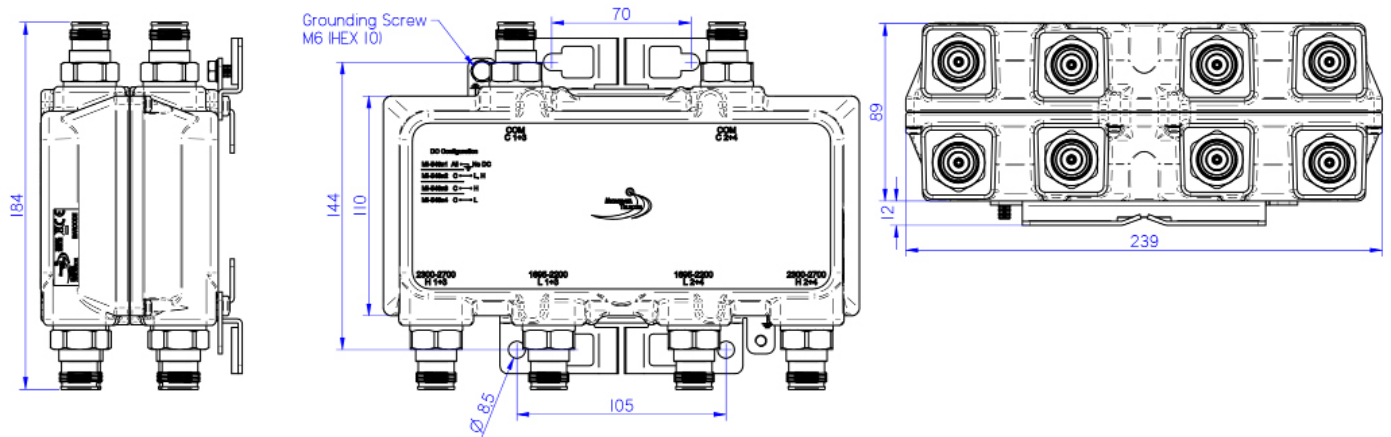
| | 1695-2200 | 2300-2700 |
|-----------------|------------|-----------|
| MI-548nA | Auto-Sense | |
| MI-548n1 | Block | Block |
| MI-548n2 | Pass | Pass |
| MI-548n3 | Block | Pass |
| MI-548n4 | Pass | Block |

Auto-Sense Priority

| | 1695-2200 | 2300-2700 |
|-------------------|-----------|-----------|
| MI-548nA.1 | FPO | FPO |
| MI-548nA.2 | XOR | XOR |
| MI-548nA.3 | 2 | 1 |
| MI-548nA.4 | 1 | 2 |

Mechanical Drawing

*This picture is showing MI-548n4



*This picture is showing MI-548n3

