



MI-3021n PDU 2/4/6 ch.

Note

The MI-3021n family of PDU products, include:

- **MI-30210**, PDU 2 ch. for single unit
- **MI-30211**, PDU 2 ch. for 19" rack mount
- **MI-30212**, PDU 4 ch. for 19" rack mount
- **MI-30213**, PDU 6 ch. for 19" rack mount



MASS™

Microdata Advanced Site Solutions

With our expertise in site system design we are able to provide a solution for any site sharing or upgrade scenario.

Our focus area is RF-filter based solutions including combiners, multi band TMAs, di-, tri- and quadruplexers.

Our product portfolio supports all frequencies for mobile communication bands ranging from 450 MHz to 6 GHz.

Site and network sharing makes it cost efficient to reach sparsely populated areas where new subscribers can contribute to revenue.

MASS™

Advantage

Increases coverage

more traffic & higher ARPU

Increases capacity

more traffic & higher ARPU

Reduces the cost

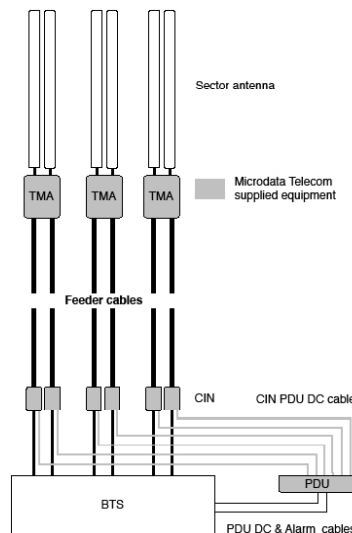
of network expansion

Minimizes

site acquisition issues

Electrical Specifications

Electrical		
Input voltage	20 - 60V DC, positive or negative	
Input polarity protection	Yes	
Output voltage	12V DC	
Output protection	Over current and over voltage	
Number of supported TMA ports	See Product numbers	
Alarm	Three pin alarm with individual LED indicator	
Environmental & Standards		
Temperature	-10 °C - +65 °C 14 °F - 149 °F	
EMC	EN 301 498-8	
Environmental	EN 300 019	
Safety	EN 60950	
Ingress protection	IP20	
Mechanical		
Size (WxHxD), wall mount	98x63x19 mm 3.86x2.48x0.75 in	
1U 19" rack mount optional		
Weight	150 g 0.33 lb	
Connectors	CIN, SMB Male DC, Minitit junior 1x3 Alarm, Minitit junior 1x3	
Product numbers	CIN support	Mounting
MI-30210	2	Wall mount
MI-30211	2	1U 19" rack mount
MI-30212	4	1U 19" rack mount
MI-30213	6	1U 19" rack mount



All values in spec are subject to change without notice