



MI-514nn

Diplexer 700/850-900



This picture is showing MI-51401

The MI-514nn family of cavity diplexer products, include:

- **MI-514nA**, diplexer with DC/AISG Auto-Sense
- **MI-514n1**, all ports DC grounded
- **MI-514n2**, diplexer with DC/AISG on Common – High & Low Band
- **MI-514n3**, diplexer with DC/AISG on Common - High Band, Low port DC grounded
- **MI-514n4**, diplexer with DC/AISG on Common - Low Band, High port DC grounded

MASS™

Microdata Advanced Site Solutions

With our expertise in site system design we are able to provide a solution for any site sharing or upgrade scenario.

Our focus area is RF-filter based solutions including combiners, multi band TMAs, di-, tri- and quadruplexers.

Our product portfolio supports all frequencies for mobile communication bands ranging from 450 MHz to 6 GHz.

Site and network sharing makes it cost efficient to reach sparsely populated areas where new subscribers can contribute to revenue.

MASS™

Advantage

Increases coverage

more traffic & higher ARPU

Increases capacity

more traffic & higher ARPU

Reduces the cost

of network expansion

Minimizes

site acquisition issues

Specifications

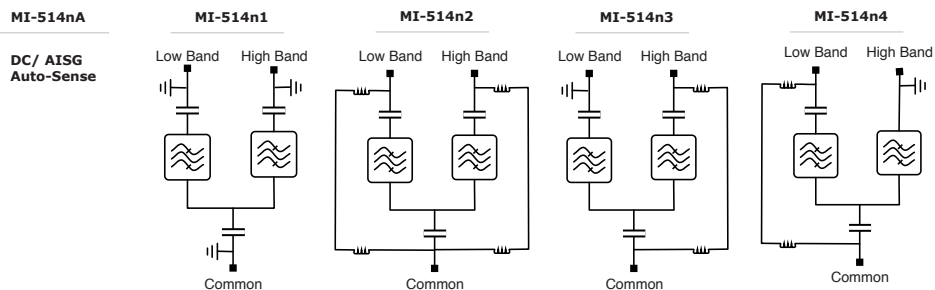
Low band		
Frequency Band	698 - 806 MHz	
Insertion Loss	<0.35 dB*	
Return Loss	>18 dB	
Rejection 824- 960 MHz	>50 dB	
Continuous Average Power	250 W	
Intermodulation, 2x43 dBm TX Carrier	-117 dBm	
High Band		
Frequency Band	824 - 960 MHz	
Insertion Loss	< 0.35 dB*	
Return Loss	>18 dB	
Rejection 698 - 806 MHz	>50 dB	
Continuous Average Power	250 W	
Intermodulation, 2x43 dBm TX Carrier	-117 dBm	
Environmental		
Operating Temperature Range	-40 to +65°C -40 to +149°F	
Operation	ETS 300 019-1-4, Class 4.1 E	
Storage	ETS 300 019-1-1, Class 1.2	
Ingress Protection	IP67	
Electrical		
DC By Pass	3 A	
AISG pass	Yes	
Lightning Protection	5 kA 8/20 µs	
Mechanical		
Dimensions (WxHxD)	Single Mount	Dual Mount
	159 x174x62 mm 6.69x7.68 x3.15 in	159x174x116 mm 6.69x7.68x4.56 in
Volume	1.7 l	3.2 l
Weight (Net)	2.6 kg 5.73 lb	4.3 kg 9.47 lb
Connectors	See Selection Guide for specification	
Mounting	Hose clamps or wall mount	
Colour	NCS 1502-R	
Bracket	Included	
Shipping Information		
Carton Size	Single Mount	Dual Mount
	293x211x145 mm 11.54x8.31x5.71 in	310x240x240 mm 12.20x9.45x9.45 in
Cartons Qty/Pallet	84	45
* Typical		

Selection Guide

		Connector (F)	
		7/16	4.3-10
Mount	Single	MI-5140n	MI-5143n
	Dual	MI-5141n	MI-5144n

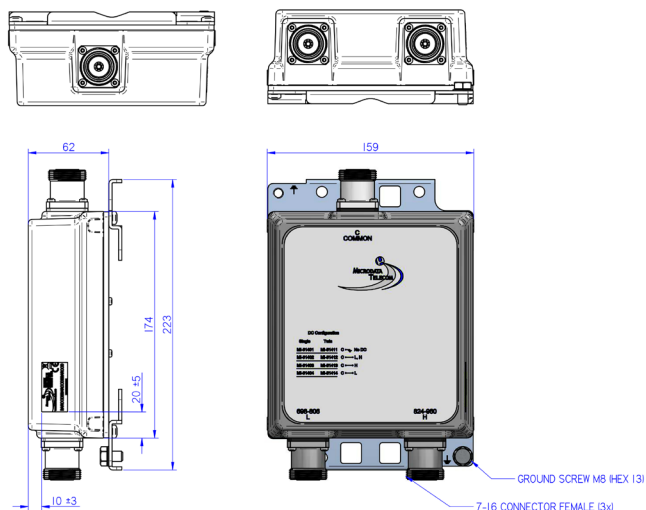
*The dual filter configuration is mounted on a single bracket for hose clamp or wall mount.

Block Diagram

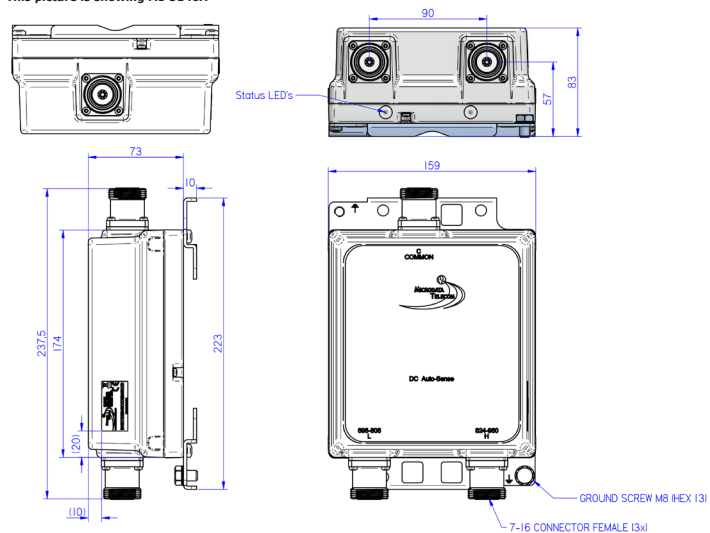


Mechanical Drawing

*This picture is showing MI-5140n



*This picture is showing MI-5140A



*This picture is showing MI-5141n

