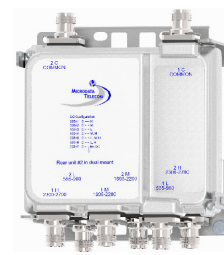




# MI-537nn Triplexer 600-900/1695-2200/2300-2600 MHz



\*This photo is showing MI-5373A

## MASS™

With our expertise in site system design we are able to provide a solution for any site sharing or upgrade scenario.

Our focus area is RF-filter based solutions including combiners, multi band TMAs, di-, tri- and quadruplexers.

Our product portfolio supports all frequencies for mobile communication bands ranging from 450 MHz to 6 GHz.

Site and network sharing makes it cost efficient to reach sparsely populated areas where new subscribers can contribute to revenue.

## MASS™ Advantage

**Increases coverage**  
more traffic & higher ARPU

**Increases capacity**  
more traffic & higher ARPU

**Reduces the cost**  
of network expansion

**Minimizes**  
site acquisition issues

## Specifications

Port 1 (600 - 900) - Common		
Frequency Band	555 - 960 MHz	
Insertion Loss	< 0.2 dB*	
Return Loss	> 20 dB	
Rejection 1695 - 2200 MHz	> 50 dB	
Rejection 2300 - 2700 MHz	> 50 dB	
Continuous Average Power / Peak Power	250 W / 2000 W	
Intermod. (IM3), 2x43 dBm TX Carrier	165 dBc*	
Port 2 (1695 - 2200) - Common		
Frequency Band	1695 - 2200 MHz	
Insertion Loss	< 0.2 dB*	
Return Loss	> 20 dB	
Rejection 555 - 960 MHz	> 50 dB	
Rejection 2300 - 2700 MHz	> 50 dB	
Continuous Average Power / Peak Power	250 W / 2000 W	
Intermod. (IM3), 2x43 dBm TX Carrier	165 dBc*	
Port 3 (2300 - 2600) - Common		
Frequency Band	2300 - 2700 MHz	
Insertion Loss	< 0.2 dB*	
Return Loss	> 20 dB	
Rejection 555 - 2200 MHz	> 50 dB	
Continuous Average Power / Peak Power	250 W / 2000 W	
Intermod. (IM3), 2x43 dBm TX Carrier	165 dBc*	
Environmental		
Operating Temperature Range	-40° to +65°C   -40° to +149°F	
Environmental	ETS 300 019-1-4 Class 4.1E	
Ingress Protection	IP67	
Safety	IEC/EN 62368-1	
Electrical		With Auto-Sense
Lightning Protection	+/- 5 kA 8/20 µs	+/- 5 kA 8/20 µs
DC Pass Current	3.0 A continuous max	2 A, drop max 2.4V
AISG pass	Yes	
AISG RL		> 12 dB
AISG Loss		< 1 dB
MTBF	1 Mh min	1 Mh min
Input Voltage Power		8-30 V Max 0.3W
Mechanical		Dual Mount
Dimensions (WxHxD)	Single Mount	190x160x106 mm 7.48x6.30x4.17 in
	With Auto-Sense	190x160x128 mm 7.48x6.30x5.04 in
Volume	1.5 l	3.2 l
With Auto-Sense	1.9 l	3.9 l
Weight (including brackets)	2.6 kg   5.73 lb	4.7 kg   10.36 lb
With Auto-Sense	TBD	TBD
Connectors	See Selection Guide	
Mounting	Hose clamps or wall mount (Supporter Pole Diameter: 40-140mm)	
Colour	NCS 1502-R (light grey)	
Bracket	Included	
Wind load	186 N @70 m/s	
Shipping Information		Dual Mount
Shipping weight (or Gross weight, including packaging)	3.2 kg   5.51 lb	5.4 kg   11.91 lb
Carton Size	300x270x130 mm 11.81x10.63x5.12 in	300x270x220 mm 11.81x10.63x8.66 in
Carton Qty/Pallet	96	48

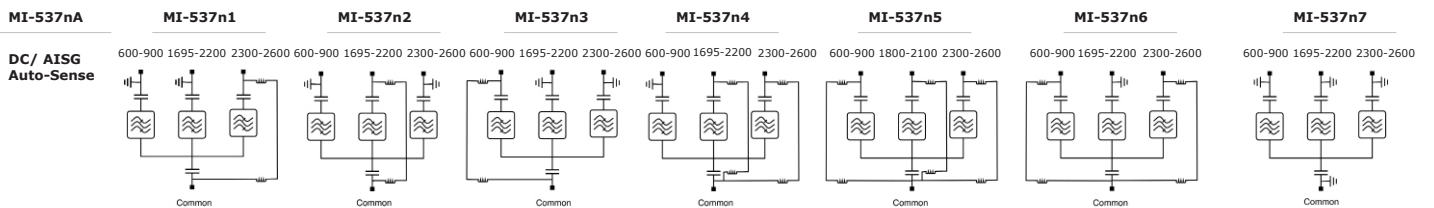
\* typical

### Selection Guide

		Connector (F)	
		7/16	4.3-10
Mount	Single	MI-5370n	MI-5373n
	Dual	MI-5371n	MI-5374n

\*The dual filter configuration is mounted on a single bracket for hose clamp or wall mount.

### Block Diagram



### DC/AISG

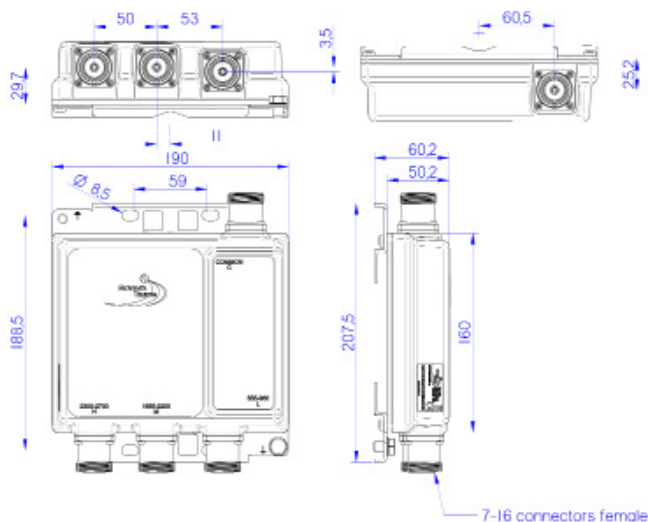
	600-900	1800-2100	2300-2600
MI-537nA	Auto-Sense		
MI-537n1	Block	Block	Pass
MI-537n2	Block	Pass	Block
MI-537n3	Pass	Block	Block
MI-537n4	Block	Pass	Pass
MI-537n5	Pass	Pass	Pass
MI-537n6	Pass	Block	Pass
MI-537n7	Block	Block	Block

### Auto-Sense Priority

	600-900	1800-2100	2300-2600
MI-537nA.1	FPO	FPO	FPO
MI-537nA.2	XOR	XOR	XOR
MI-537nA.3	3	2	1
MI-537nA.4	1	2	3
MI-537nA.5	3	1	2
MI-537nA.6	2	1	3
MI-537nA.7	1	3	2
MI-537nA.8	2	3	1

### Mechanical Drawing

\*This picture is showing MI-53701



\*This picture is showing MI-5370A

