



MI-541nn

Diplexer

1695-1780, 2110-2360/
1850-1995 MHz



*This photo is showing MI-54131

MASS™

Microdata Advanced Site Solutions

With our expertise in site system design we are able to provide a solution for any site sharing or upgrade scenario.

Our focus area is RF-filter based solutions including combiners, multi band TMAs, di-, tri- and quadruplexers.

Our product portfolio supports all frequencies for mobile communication bands ranging from 450 MHz to 6 GHz.

Site and network sharing makes it cost efficient to reach sparsely populated areas where new subscribers can contribute to revenue.

MASS™

Advantage

Increases coverage

more traffic & higher ARPU

Increases capacity

more traffic & higher ARPU

Reduces the cost

of network expansion

Minimizes

site acquisition issues

Specifications

AWS+WCS		
Frequency Band	1695 - 1780 MHz, 2110 - 2360 MHz	
Insertion Loss	< 0.2 dB typ < 0.3 dB max	
Return Loss	> 20 dB	
Rejection PCS	> 40 dB	
Continuous Average Power	100 W	
Intermodulation, 2x43 dBm TX Carrier	min -161 dBc	
PCS		
Frequency Band	1850 - 1995 MHz	
Insertion Loss	< 0.25 dB typ < 0.38 dB max	
Return Loss	> 20 dB	
Rejection AWS	> 40 dB	
Continuous Average Power	100 W	
Intermodulation, 2x43 dBm TX Carrier	min -161 dBc	
Environmental		
Operating Temperature Range	-40 to +65°C -40 to +149°F	
Operation	ETS 300 019-1-4 Class 4.1E	
Storage	ETS 300 019-1-1 Class 1.2	
Ingress Protection	IP67	
Electrical		
Lightning Protection	5 kA 8/20 µs	
Mechanical		
	4:2	8:4
Dimensions (WxHxD) excl connectors	210x107x42 mm 8.3x4.2x1.6 in	210x107x76 mm 8.3 x 4.2 x 3.0 in
Volume	0.9 l	1.7 l
Weight (including brackets)	1.8 kg 3.97 lb	3 kg 6.61 lb
Connectors	4.3-10 female	
Mounting	Hose clamps or wall mount, Supporter Pole Diameter: 40-140mm	
Color	NCS 1502-R	
Bracket	Included	
Shipping Information		
	4:2	8:4
Shipping weight (or Gross weight, including packaging)	2.3 kg 5.07 lb	3.5 kg 7.72 lb
Carton Size	254x280x144 mm 10x11.02x5.67 in	295x248x183 mm 11.61x9.76x7.20 in
Carton Qty/Pallet	56	84

Selection Guide

		Connector 4.3-10 (F)
Mount	4:2	MI-54111
	8:4	MI-54131

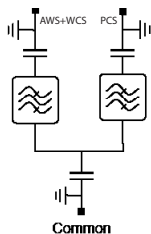


MI-541nn

Diplexer

1695-1780, 2110-2360/
1850-1995 MHz

Block Diagram

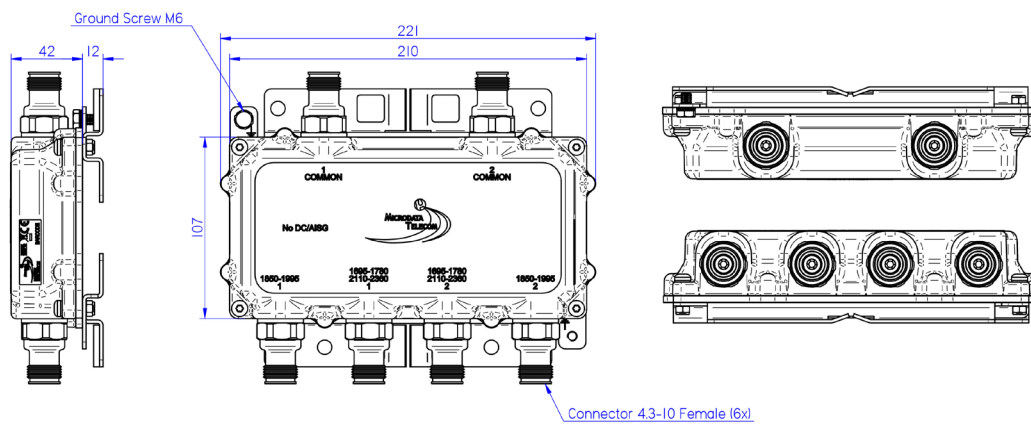


DC/AISG

	1695-1780, 2110-2360	1850-1995
MI-54111	Block	Block
MI-54131	Block	Block

Mechanical Drawing

*This picture is showing MI-54111



*This picture is showing MI-54131

