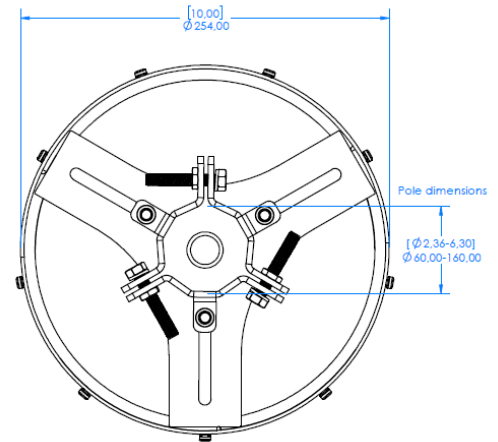
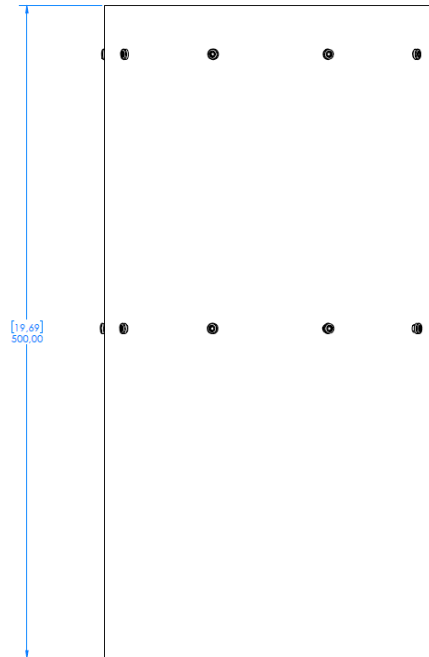
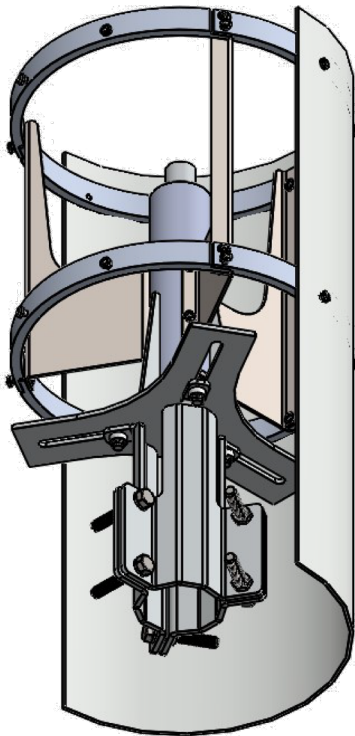


KIT-000040-P

Mounting Bracket for Canister Antenna: Top Pole Mount



MECHANICAL SPECIFICATION	
Dimension Length, Width, Depth [inch mm]	10.24 x 10.00 x 18.19 260 x 254 x 462
Net Weight [lbs kg]	8.38 3.8
Volume for Canister Antenna with Cover [ft3 m3]	1.62 0.046
Bracket Material	Aluminium
Screw/Nut Material	Stainless Steel
Cover Material	ASA
Cover Color [RAL]	7035
Windload, Calculation [mph km/h]	93.2 150
Windload, Maximum (total windload, including antenna) [lbf kg]	26.7 12.1
Survival Wind Speed [mph km/h]	150 241.4
SHIPPING INFORMATION	
Packing Size: Length, Width, Depth [inch mm]	22 x 13.8 x 12.2 558.8 x 350.5 x 309.9
Shipping Weight [lb kg]	13.2 6
KIT COMPATIBILITY	
Antennas	M0MPBx0x-V1-P1 MCMPBx0x-V1-P1 MPMPBx0x-V1-P1

