



MI-570nn

Triplexer L-band/1800-2100/2600



The picture is showing MI-5703n

MASS™

Microdata Advanced Site Solutions

With our expertise in site system design we are able to provide a solution for any site sharing or upgrade scenario.

Our focus area is RF-filter based solutions including combiners, multi band TMAs, di-, tri- and quadruplexers.

Our product portfolio supports all frequencies for mobile communication bands ranging from 450 MHz to 6 GHz.

Site and network sharing makes it cost efficient to reach sparsely populated areas where new subscribers can contribute to revenue.

MASS™

Advantage

Increases coverage
more traffic & higher ARPU

Increases capacity
more traffic & higher ARPU

Reduces the cost
of network expansion

Minimizes
site acquisition issues

Specifications

Port 1 (L-band) - Common		
Frequency Band	1427-1517 MHz	
Insertion Loss	< 0.3 dB*	
Return Loss	> 18 dB	
Rejection 1695 - 2200 MHz	50 dB	
Rejection 2496 - 2690 MHz	50 dB	
Continuous Average Power	250 W	
Port 2 (1800-2100) - Common		
Frequency Band	1695 - 2200 MHz	
Insertion Loss	< 0.2 dB*	
Return Loss	> 18 dB	
Rejection 1427 - 1517 MHz	50 dB	
Rejection 2496 - 2690 MHz	50 dB	
Continuous Average Power	250 W	
Intermodulation, 2x43 dBm TX Carrier	-117 dBm	
Port 3 (2600) - Common		
Frequency Band	2496 - 2690 MHz	
Insertion Loss	< 0.2 dB*	
Return Loss	> 18 dB	
Rejection 1427 - 1517 MHz	50 dB	
Rejection 1695 - 2200 MHz	50 dB	
Continuous Average Power	250 W	
Intermodulation, 2x43 dBm TX Carrier	-117 dBm	
Environmental		
Operating Temperature Range	-40 to +65°C -40 to +149°F	
Operation	ETS 300 019-1-4 Class 4.1E	
Storage	ETS 300 019-1-1 Class 1.2	
Ingress Protection	IP67	
Electrical		With Auto-Sense
DC By Pass	3 A	2 A, drop max 2.4 V
AISG pass	Yes	
AISG RL		>12 dB
AISG Loss		< 1dB
Lightning Protection		5 kA 8/20 µs
Input Voltage Power		8-30 V max 0.3 W
Mechanical		Single Mount
Dimensions (WxHxD)		170x156x50 mm 6.69x6.14x1.97 in
	With Auto-Sense	170x156x61 mm 6.69x6.14x2.4 in
Volume		1.3 l
Weight (includes bracket)		2.3 kg 5.1 lb
Connectors		See Selection Guide
Mounting		Hose clamps or wall mount Supporter Pole Diameter: 40-140mm
Colour		NCS 1502-R
Bracket		Included
* typical		

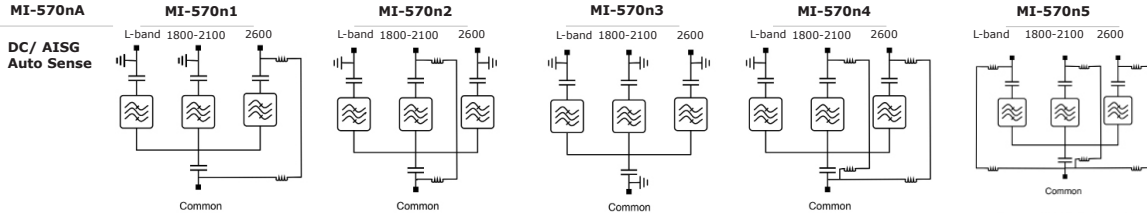
Selection Guide

		Connector (F)	
		7/16	4.3-10
Mount	Single	MI-5700n	MI-5703n
	Dual	MI-5701n	MI-5704n

Auto-Sense: MI-570nA

*The dual filter configuration is mounted on a single bracket for hose clamp or wall mount.

Block Diagram

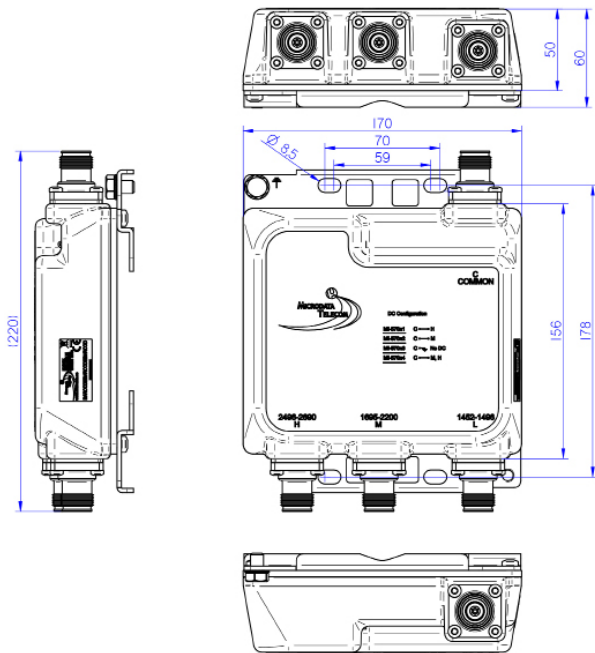


DC/AISG

	L-band	1800-2100	2600
MI-570nA	Auto-Sense		
MI-570n1	Block	Block	Pass
MI-570n2	Block	Pass	Block
MI-570n3	Block	Block	Block
MI-570n4	Block	Pass	Pass
MI-570n5	Pass	Pass	Pass

Mechanical Drawing

The picture is showing MI-5703n



The picture is showing MI-5704n

