



MI-217nn

Triplexer 1800/2100/2300-2600



*This photo is showing MI-21701

MASS™

Microdata Advanced Site Solutions

With our expertise in site system design we are able to provide a solution for any site sharing or upgrade scenario.

Our focus area is RF-filter based solutions including combiners, multi band TMAs, di-, tri- and quadruplexers.

Our product portfolio supports all frequencies for mobile communication bands ranging from 450 MHz to 6 GHz.

Site and network sharing makes it cost efficient to reach sparsely populated areas where new subscribers can contribute to revenue.

MASS™

Advantage

Increases coverage

more traffic & higher ARPU

Increases capacity

more traffic & higher ARPU

Reduces the cost

of network expansion

Minimizes

site acquisition issues

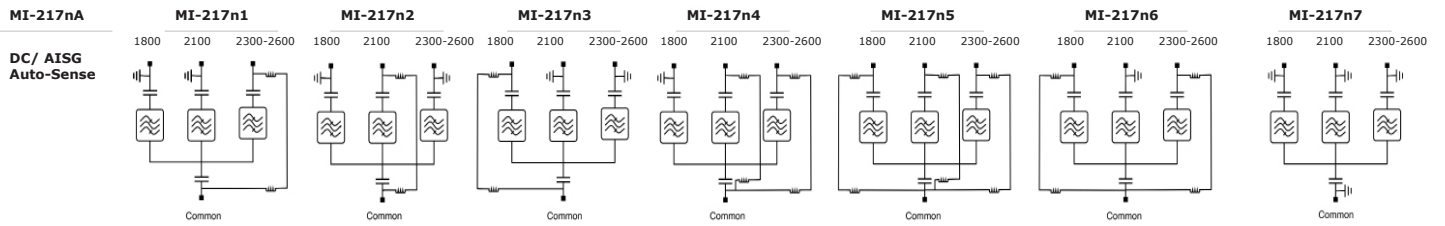
Specifications

Port 1 (1800) - Common		
Frequency Band	1710 - 1880 MHz	
Insertion Loss	0.15 dB*, 0.2/0.4 dB max (RX/TX)	
Return Loss	> 18 dB	
Rejection 1920 - 2170 MHz	50 dB	
Rejection 2300 - 2690 MHz	50 dB	
Continuous Average Power	250 W	
Intermod. (IM3), 2x43 dBm TX Carrier	160 dBc	
Port 2 (2100) - Common		
Frequency Band	1920 - 2170 MHz	
Insertion Loss	0.2 dB*, 0.5 dB max	
Return Loss	> 18 dB	
Rejection 1710 - 1880 MHz	50 dB	
Rejection 2300 - 2400 MHz	50 dB	
Rejection 2500 - 2690 MHz	50 dB	
Continuous Average Power	250 W	
Intermod. (IM7), 2x43 dBm TX Carrier	160 dBc	
Port 3 (2300-2600) - Common		
Frequency Band	2300 - 2690 MHz	
Insertion Loss	0.2 dB*, 0.3 dB max	
Return Loss	> 18 dB	
Rejection 1710 - 2170 MHz	50 dB	
Continuous Average Power	250 W	
Intermod. (IM3), 2x43 dBm TX Carrier	160 dBc	
Environmental		
Operating Temperature Range	-40° to +65°C -40° to +149°F	
Environmental	ETS 300 019-1-4 Class 4.1E	
Ingress Protection	IP67	
Safety	IEC/EN 62368-1	
Electrical		With Auto-Sense
Lightning Protection	+/-5 kA 8/20 µs	+/-5 kA 8/20 µs
DC Pass Current	3.0 A continuous max.	2 A, drop max 2.4V
AISG pass	Yes	
AISG RL		> 12 dB
AISG Loss		< 1 dB
Input Voltage Power		8-30 V Max 0.3W
Impedance	50 Ω	50 Ω
Mechanical		Single Mount
Dimensions (WxHxD)	190x150x51 mm	190x150x94 mm
	7.48x5.91x2.00 in	7.48x5.91x3.70 in
With Auto-Sense	190x150x62 mm	190x150x123 mm
	7.48x5.91x2.44 in	7.48x5.91x4.84 in
Volume	1.5 l	2.7 l
With Auto-Sense	1.8 l	3.5 l
Weight gross/net	3.1 kg/2.6 kg 6.8 lb/5.7 lb	5.3 kg/4.7 kg 11.8 lb/10.3 lb
With Auto-Sense	3.6 kg/3.1 kg 8.0 lb/6.9 lb	5.8 kg/5.2 kg 12.9 lb/11.6 lb
Connectors	See Selection Guide	
Mounting	Hose clamps or wall mount, (Supporter Pole Diameter: 40-140mm)	
Colour	NCS 1502-R (light grey)	
Bracket	Included	
Shipping Information		Single Mount
Carton Size	300x267x155 mm	300x267x200 mm
	11.81x10.51x6.10 in	10.24x9.45x7.87 in
Carton Qty/Pallet	108	60
* typical		

Selection Guide

Single Mount	Dual Mount	Connector (Long neck)
MI-2170n	MI-2171n	All type 7/16 f connectors
MI-2174n	MI-2175n	Band connectors type 7/16 f, Common type N f
MI-2178n	MI-2179n	All type 4.3-10 connectors f

Block Diagram



DC/AISG

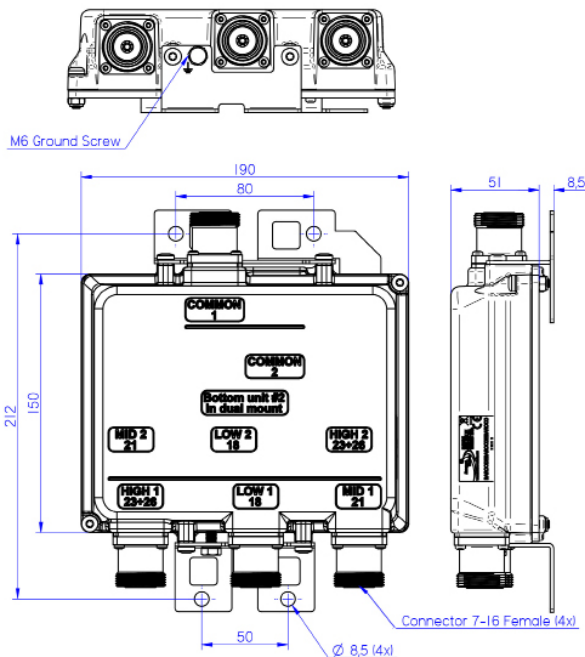
	1800	2100	2300-2600
MI-217nA	Auto-Sense		
MI-217n1	Block	Block	Pass
MI-217n2	Block	Pass	Block
MI-217n3	Pass	Block	Block
MI-217n4	Block	Pass	Pass
MI-217n5	Pass	Pass	Pass
MI-217n6	Pass	Block	Pass
MI-217n7	Block	Block	Block

Auto-Sense Priority

	1800	2100	2300-2600
MI-217nA.1	FPO	FPO	FPO
MI-217nA.2	XOR	XOR	XOR
MI-217nA.3	3	2	1
MI-217nA.4	1	2	3
MI-217nA.5	3	1	2
MI-217nA.6	2	1	3
MI-217nA.7	1	3	2
MI-217nA.8	2	3	1

Mechanical Drawing

*This picture is showing MI-2170n



*This picture is showing MI-2171n

