



# MI-249nn

## Triplexer

### 800 - 900/1800/2100 MHz



This picture is showing MI-2490A

## MASS™

### Microdata Advanced Site Solutions

With our expertise in site system design we are able to provide a solution for any site sharing or upgrade scenario.

Our focus area is RF-filter based solutions including combiners, multi band TMAs, di-, tri- and quadruplexers.

Our product portfolio supports all frequencies for mobile communication bands ranging from 450 MHz to 6 GHz.

Site and network sharing makes it cost efficient to reach sparsely populated areas where new subscribers can contribute to revenue.

## MASS™

### Advantage

#### Increases coverage

more traffic & higher ARPU

#### Increases capacity

more traffic & higher ARPU

#### Reduces the cost

of network expansion

#### Minimizes

site acquisition issues

## Specifications

Port 1 (800-900) - Common		
Frequency Band	790 - 960 MHz	
Insertion Loss	0.1 dB typ, 0.2 dB max	
Return Loss	> 18 dB	
Rejection 1710 - 1880 MHz	60 dB	
Rejection 1920 - 2170 MHz	60 dB	
Continuous Average Power	250 W	
Intermod. (IM3), 2x43 dBm TX Carrier	-117 dBm	
Port 2 (1800) - Common		
Frequency Band	1710 - 1880 MHz	
Insertion Loss	0.2 dB typ, 0.4 dB max	
Return Loss	> 18 dB	
Rejection 790 - 960 MHz	60 dB	
Rejection 1920 - 2170 MHz	50 dB	
Continuous Average Power	250 W	
Intermod. (IM3), 2x43 dBm TX Carrier	-117 dBm	
Port 3 (2100) - Common		
Frequency Band	1920 - 2170 MHz	
Insertion Loss	0.2 dB typ, 0.5 dB max	
Return Loss	> 18 dB	
Rejection 790 - 1880 MHz	50 dB	
Continuous Average Power	250 W	
Intermod. (IM7), 2x43 dBm TX Carrier	-125 dBm	
Environmental		
Operating Temperature Range	-40° to +65°C   -40° to +149°F	
Environmental	ETS 300 019-1-4 Class 4.1E	
Ingress Protection	IP67	
Electrical		
Lightning Protection	IEC61000-4.5	With Auto-Sense +/-5 kA 8/20 µs
DC Pass Current	3.0 A continuous max.	2 A, drop max 2.4V
AISG pass	Yes	
AISG RL		> 12 dB
AISG Loss		< 1 dB
MTBF	1 Mh min.	1 Mh min
Input Voltage Power		8-30 V Max 0.3W
Safety	IEC/EN 62368-1	
Mechanical		
	Single Mount	Dual Mount
Dimensions (WxHxD)	170x150x50 mm 6.69x5.91x1.97 in	170x150x109 mm 6.69x5.91x4.29 in
With Auto-Sense	170x150x62 mm 6.69x5.91x2.44 in	To be added
Volume	1.3 l	2.8 l
With Auto-Sense	1.6 l	
Weight gross/net	3.0 kg/2.5 kg   6.61 lb/5.51 lb	5.5 kg/5.0kg   12.13 lb/11.02 lb
With Auto-Sense	TBD	
Connectors	See Selection Guide	
Mounting	Hose clamps or wall mount. Supporter Pole Diameter: 40-140mm	
Colour	NCS 1502-R (light grey)	
Bracket	Included	
Shipping Information		
	Single Mount	Dual Mount
Carton Size	300x260x155 mm 11.81x10.23x6.10 lb	300x260x215 mm 11.81x10.23x8.46 lb
Carton Qty/Pallet	84	60
* typical		



# MI-249nn Triplexer 800 - 900/1800/2100 MHz

## Selection Guide

		Connector (F)	
		7/16	4.3-10
Mount	Single	MI-2490n	MI-2493n
	Dual	MI-2491n	MI-2494n

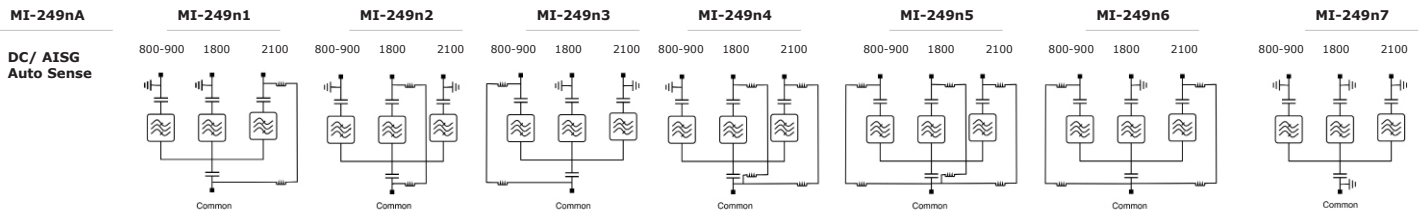
Auto-Sense: MI-249nA

\*The dual filter configuration is mounted on a single bracket for hose clamp or wall mount.

## DC/AISG

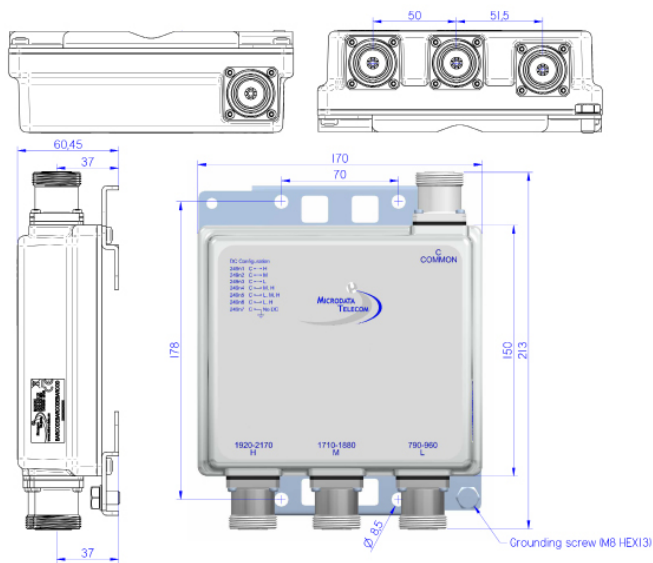
	800-900	1800	2100
MI-249nA	Auto-Sense		
MI-249n1	Block	Block	Pass
MI-249n2	Block	Pass	Block
MI-249n3	Pass	Block	Block
MI-249n4	Block	Pass	Pass
MI-249n5	Pass	Pass	Pass
MI-249n6	Pass	Block	Pass
MI-249n7	Block	Block	Block

## Block Diagram



## Mechanical Drawing

\*This picture is showing MI-24901



\*This picture is showing MI-2490A

