



MI-282nn

Same Band Combiner FDD/TDD 2600

The MI-282nn family of cavity combiner products, include:

- **MI-282n1**, combiner with DC/AISG on Common – FDD
- **MI-282n2**, combiner with DC/AISG on Common – TDD
- **MI-282n3**, combiner with DC/AISG on Common – FDD & TDD

MASS™

Microdata Advanced Site Solutions

With our expertise in site system design we are able to provide a solution for any site sharing or upgrade scenario.

Our focus area is RF-filter based solutions including combiners, multi band TMAs, di-, tri- and quadruplexers.

Our product portfolio supports all frequencies for mobile communication bands ranging from 450 MHz to 6 GHz.

Site and network sharing makes it cost efficient to reach sparsely populated areas where new subscribers can contribute to revenue.

MASS™

Advantage

Increases coverage

more traffic & higher ARPU

Increases capacity

more traffic & higher ARPU

Reduces the cost

of network expansion

Minimizes

site acquisition issues

Specifications

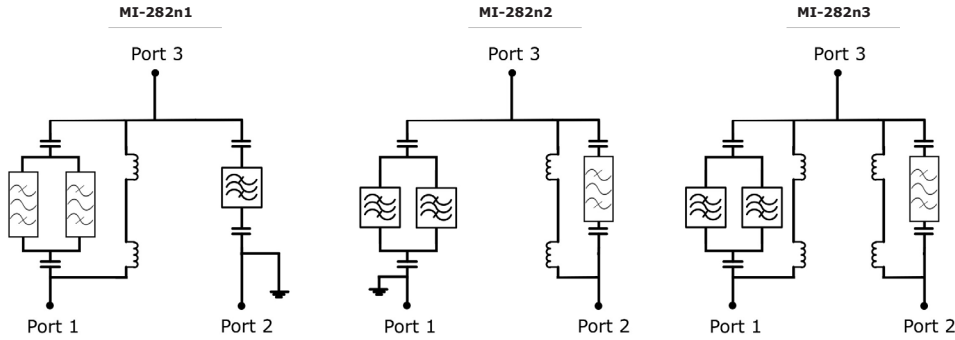
Port 1 (2600 FDD RX) - Port 3 Common	
Frequency Band	2540 - 2550 MHz
Insertion Loss	< 0.5 dB*
Return Loss	> 18 dB
Rejection 2595 - 2670 MHz	65 dB
Isolation to port 2	65 dB
Intermod. (IM3), 2x43 dBm TX Carrier	-117 dBm (160 dBc)
Port 2 (2600 TDD) - Port 3 Common	
Frequency Band	2595 - 2615 MHz
Insertion Loss	< 0.5 dB*
Return Loss	> 18 dB
Rejection 2540 - 2550 MHz	65 dB
Rejection 2660 - 2670 MHz	65 dB
Continuous Average Power	100 W
Intermod. (IM3), 2x43 dBm TX Carrier	-117 dBm (160 dBc)
Isolation to port 1	65 dB
Port 1 (2600 FDD TX) - Port 3 Common	
Frequency Band	2660 -2670 MHz
Insertion Loss	< 0.5 dB*
Return Loss	> 18 dB
Rejection 2540 - 2615 MHz	65 dB
Continuous Average Power	100 W
Intermod. (IM3), 2x43 dBm TX Carrier	-117 dBm (160 dBc)
Isolation to port 2	65 dB
Environmental	
Operating Temperature Range	-40° to +65°C -40° to +149°F
Environmental	ETS 300 019
Ingress Protection	IP67
Electrical	
Lightning Protection	+/- 5 kA, 8/20 µs
DC Pass Current	3.0 A continuous max. Port 1 to Common.
AISG pass	Yes
MTBF	1 Mh min.
Safety	IEC/EN 62368-1
Mechanical	
	Single Mount Dual Mount
Dimensions (WxHxD)	201x161x47 mm To be added 7.91x6.34x1.85 in
Connectors	See Selection Guide
Mounting	Hose clamps or wall mount
Volume	1.5 l
Weight	2.9 kg 6.39 lb
Colour	NCS 1502-R (light grey)
* typical	

Selection Guide

		Connector (F)	
		7/16	4.3-10
Mount	Single	MI-2820n	MI-2823n
	Dual	MI-2821n	MI-2824n

*The dual filter configuration is mounted on a single bracket for hose clamp or wall mount.

Block Diagram



Mechanical Drawing

*This picture is showing MI-28203

