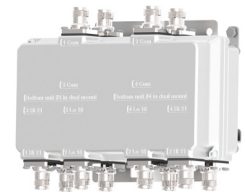




MI-553nn Diplexer 1800/2100



The picture is showing MI-5533n

The MI-553nn family of cavity diplexer products include:

- **MI-553n1**, diplexer with all ports DC grounded
- **MI-553n2**, diplexer with DC/AISG on Common – High & Low Band
- **MI-553n3**, diplexer with DC/AISG on Common - High Band, Low port DC grounded
- **MI-553n4**, diplexer with DC/AISG on Common - Low Band, High port DC grounded

MASS™

Microdata Advanced Site Solutions

With our expertise in site system design we are able to provide a solution for any site sharing or upgrade scenario.

Our focus area is RF-filter based solutions including combiners, multi band TMAs, di-, tri- and quadruplexers.

Our product portfolio supports all frequencies for mobile communication bands ranging from 450 MHz to 6 GHz.

Site and network sharing makes it cost efficient to reach sparsely populated areas where new subscribers can contribute to revenue.

MASS™

Advantage

Increases coverage

more traffic & higher ARPU

Increases capacity

more traffic & higher ARPU

Reduces the cost

of network expansion

Minimizes

site acquisition issues

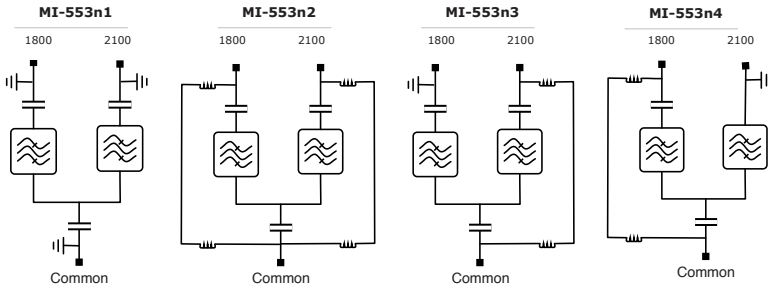
Specifications

Low band		
Frequency Band	1710 - 1880 MHz	
Insertion Loss	< 0.2 dB*	
Return Loss	> 18 dB	
Rejection high band	50 dB	
Continuous Average Power	250 W	
Intermodulation, 2x43 dBm TX Carrier	-117 dBm	
High band		
Frequency Band	1920 - 2170 MHz	
Insertion Loss	< 0.2 dB*	
Return Loss	> 18 dB	
Rejection low band	50 dB	
Continuous Average Power	250 W	
Intermodulation, 2x43 dBm TX Carrier	-117 dBm	
Environmental		
Operating Temperature Range	-40 to +60°C -40 to +140°F	
Operation	ETS 300 019-1-4 Class 4.1E	
Storage	ETS 300 019-1-1 Class 1.2	
Ingress Protection	IP67	
Electrical		
DC By Pass	3 A	
AISG pass	Yes	
Lightning Protection	5 kA, 8/20 µs	
Mechanical		
	4:2 version	8:4 version
Dimensions (WxHxD)	252x138x48.5 mm 9.92x5.43x1.91 in	252x138x89 mm 9.92x5.43x3.50 in
Volume	1.7 l	3.1 l
Weight (including brackets)	3 kg 6.61 lb	5.3 kg 11.68 lb
Connectors	See Selection Guide	
Mounting	Hose clamps or wall mount. Supporter Pole Diameter: 40-140mm	
Colour	NCS 1502-R	
Bracket	Included	
Wind load	213 N @70 m/s	
Shipping Information		
	4:2 version	8:4 version
Shipping weight (or Gross weight, including packaging)	3.7 kg 8.16 lb	6.0 kg 13.23 lb
Carton Size	310x250x150 mm 12.20x9.84x5.91 in	310x250x183 mm 12.20x9.84x7.20 in
Carton Qty/Pallet	60	TBA
* Typical		

Selection Guide

		Connector (F)	
		7/16	4.3-10
Mount	4:2	MI-5530n	MI-5533n
	8:4	MI-5531n	MI-5534n

Block Diagram

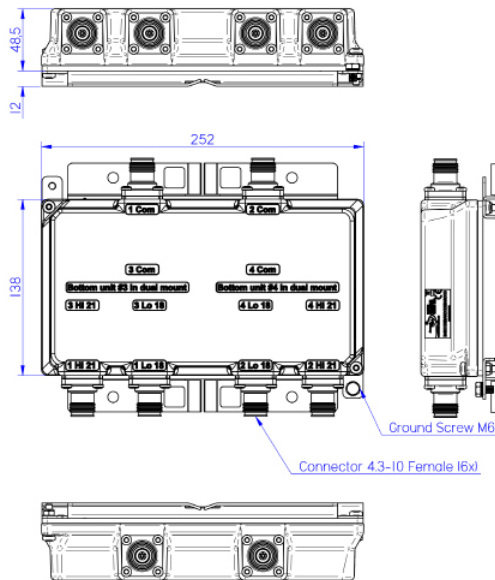


DC/AISG

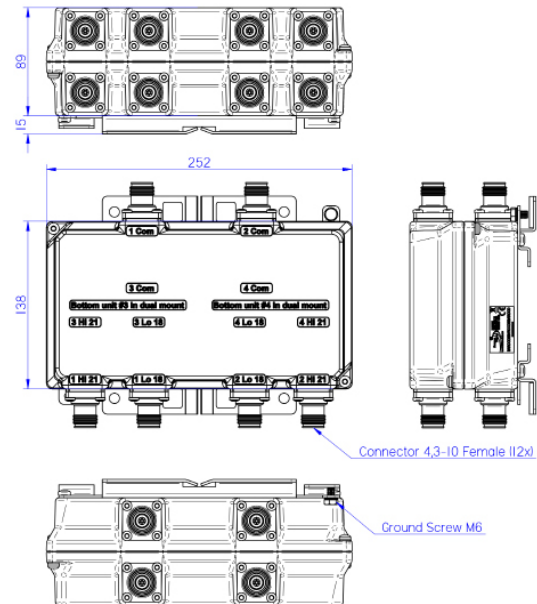
	1800	2100
MI-553n1	Block	Block
MI-553n2	Pass	Pass
MI-553n3	Block	Pass
MI-553n4	Pass	Block

Mechanical Drawing

This picture is showing MI-5533n



This picture is showing MI-5534n



This picture is showing MI-553nA

