



MI-50811

Same Band Combiner AWS - Twin



MASS™

Microdata Advanced Site Solutions

With our expertise in site system design we are able to provide a solution for any site sharing or upgrade scenario.

Our focus area is RF-filter based solutions including combiners, multi band TMAs, di-, tri- and quadruplexers.

Our product portfolio supports all frequencies for mobile communication bands ranging from 450 MHz to 6 GHz.

Site and network sharing makes it cost efficient to reach sparsely populated areas where new subscribers can contribute to revenue.

MASS™

Advantage

Increases coverage
more traffic & higher ARPU

Increases capacity
more traffic & higher ARPU

Reduces the cost
of network expansion

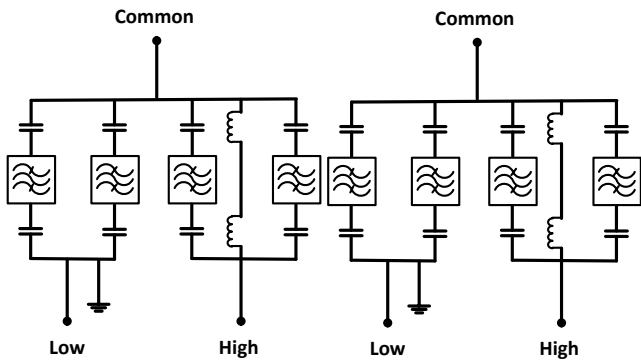
Minimizes
site acquisition issues

Specifications

AWS Same Band Combiner, AISG and DC Transparency

Uplink (Rx)	Low	High
Frequency Band MHz	1720.0 - 1740.0	1755.0 - 1770.0
IL dB typical	< 0.3	< 0.3
Downlink (Tx)	Low	High
Frequency Band, MHz	2120.0 - 2140.0	2155.0 - 2170.0
IL, dB typical	< 0.3	< 0.3
Intermodulation, 2x43 dBm TX Carrier BTS port -160 dBc		
Power Handling, Averege 200W (53 dBm), Peak 500 W (57 dBm)		
All Bands		
Return Loss	18 dB	
Isolation between Node B ports	@ Rx frequency	@ Tx frequency
	25 dB	25 dB
Power Supply		
AISG Signal Attenuation	< 1 dB @ 2.176 MHz	
Voltage Drop	1 V max. @ 10 - 30 VDC	
Supply Voltage Handling	0 - 32VDC	
Continous Current Handling	5A, 0 - 32 VDC	
AISG / DC Transparency between ports	High to Common	
Environmental		
Operating Temperature	-40 to +60°C -40 to +149°F	
Operation	ETS 300 019-1-4 Class 4.1E	
Storage	ETS 300 019-1-1 Class 1.2	
Ingress Protection	IP67	
Miscellaneous		
EMC	EN 301 489-23	
Safety standards	IEC/EN 62368-1	
MTBF	1.5 M hours	
Lightning Protection	3 kA 10/350 µs, 10 kA 8/20 µs	
Mechanical		
Dimensions (WxHxD)	220x181x97 mm 8.66x7.13x3.82 in	
Volume	3.9 l	
Weight (including brackets)	5 kg 11 lb	
Connectors	7/16 F (6 x)	
Mounting (Supporter Pole Diameter: 40-140mm)	Hose clamps, arbitrary orientation	
Colour	NCS 1502-R	
Bracket	Included	
Wind load	224 N @70 m/s	
Shipping Information		
Shipping weight (or Gross weight, including packaging)	5.8 kg 12.79 lb	
Carton Size	305x280x184 mm 12.01x11.02x7.24 in	
Carton Qty/Pallet	48	
* typical		
** Specification is subject to change without notice		

Block Diagram



Mechanical Drawing

