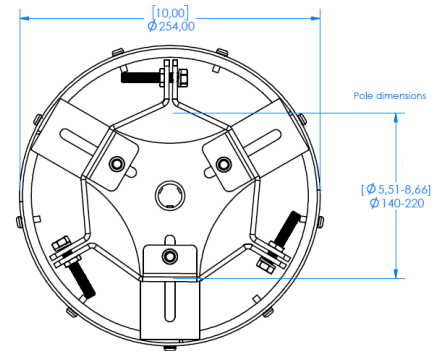
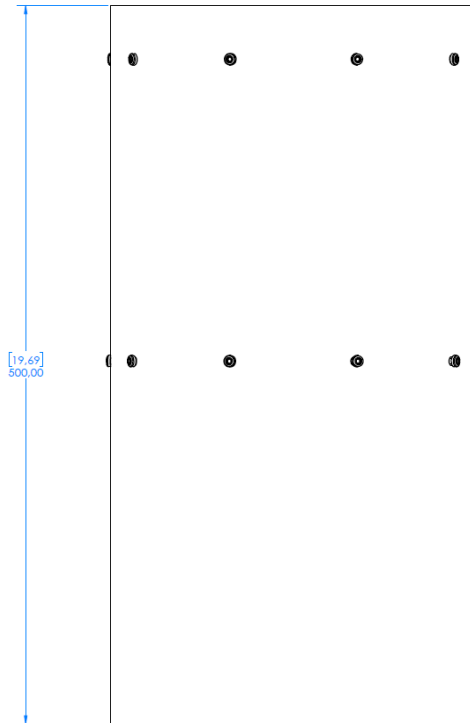
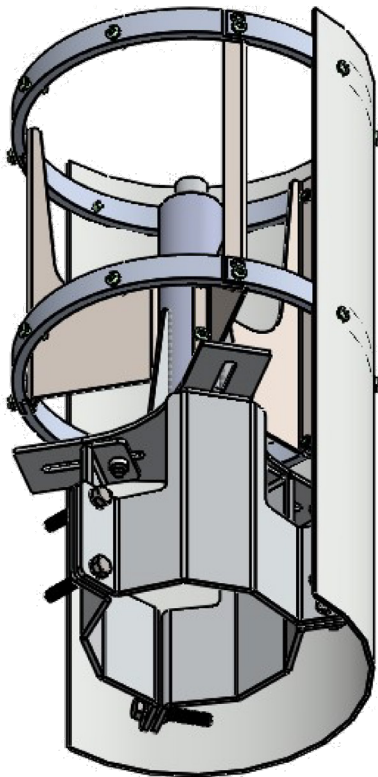


KIT-000041-P

Mounting Bracket for Canister Antenna: Top Pole Mount



MECHANICAL SPECIFICATION	
Dimension Length, Diameter [inch mm]	16.69 x 10.00 424 x 254
Net Weight [lbs kg]	8.82 4.0
Volume for Canister Antenna with Cover [ft3 m3]	2.04 5.8
Bracket Material	Aluminium
Screw/Nut Material	Stainless Steel
Cover Material	ASA
Cover Color [RAL]	7035
Windload, Calculation [mph km/h]	93.2 150
Windload, Maximum (total windload, including antenna) [lbf kg]	33.8 15.3
Survival Wind Speed [mph kg]	150 241.4
SHIPPING INFORMATION	
Packing Size: Length, Width, Depth [inch mm]	23.6 x 16.5 x 13.8 600 x 419 x 350
Shipping Weight [lb kg]	16.3 7.3
KIT COMPATIBILITY	
Antennas	M0MPBx0x-V1-P1 MCMPBx0x-V1-P1 MPMPBx0x-V1-P1

