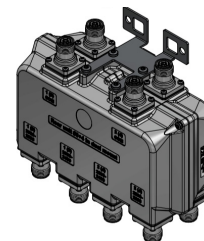




MI-513nn Diplexer 2300/2600 MHz



This picture is showing MI-5134n

The MI-513nn family of cavity diplexer products include:

- **MI-513nA**, diplexer with DC/AISG Auto Sense
- **MI-513n1**, all ports DC grounded
- **MI-513n2**, diplexer with DC/AISG on Common – High & Low Band
- **MI-513n3**, diplexer with DC/AISG on Common - High Band, Low port DC grounded
- **MI-513n4**, diplexer with DC/AISG on Common - Low Band, High port DC grounded

MASS™

Microdata Advanced Site Solutions

With our expertise in site system design we are able to provide a solution for any site sharing or upgrade scenario.

Our focus area is RF-filter based solutions including combiners, multi band TMAs, di-, tri- and quadruplexers.

Our product portfolio supports all frequencies for mobile communication bands ranging from 450 MHz to 6 GHz.

Site and network sharing makes it cost efficient to reach sparsely populated areas where new subscribers can contribute to revenue.

MASS™

Advantage

Increases coverage

more traffic & higher ARPU

Increases capacity

more traffic & higher ARPU

Reduces the cost

of network expansion

Minimizes

site acquisition issues

Specifications

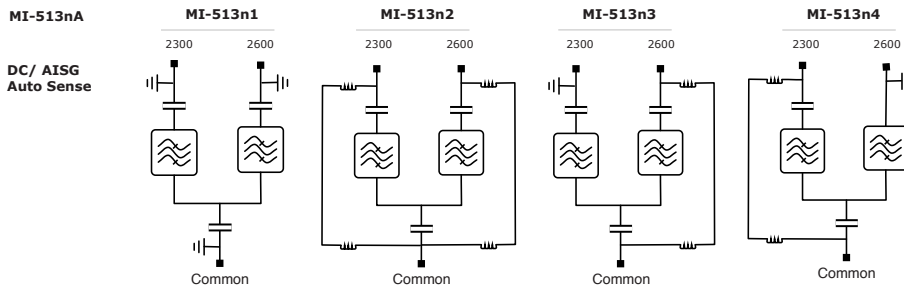
Low band		
Frequency Band	2300 - 2400 MHz	
Insertion Loss	0.15 dB*, 0.3 dB max	
Return Loss	> 18 dB	
Rejection High Band	50 dB	
Continuous Average Power	250 W	
Intermodulation, 2x43 dBm TX Carrier	N.A	
High Band		
Frequency Band	2496 - 2690 MHz	
Insertion Loss	0.15 dB*, 0.25 dB max	
Return Loss	> 18 dB	
Rejection Low Band	50 dB	
Continuous Average Power	250 W	
Intermodulation, 2x43 dBm TX Carrier	-117 dBm	
Environmental		
Operating Temperature Range	-40 to +65°C -40° to +149°F	
Operation	ETS 300 019-1-4 Class 4.1E	
Storage	ETS 300 019-1-1 Class 1.2	
Ingress Protection	IP67	
Electrical		With Auto-Sense
DC By Pass	3 A	2 A, drop max 2.4 V
AISG pass	Yes	
AISG RL		>12 dB
AISG Loss		<1 dB
Lightning Protection		10 kA 8/20 µs
Input Voltage Power		8-30 V max 0.3 W
Mechanical		
	4:2	8:4
Dimensions (WxHxD)	120x220x48.5 mm	120x220x91 mm
	4.72x8.66x1.91 in	4.72x8.66x3.58 in
Volume	TBD	
Weight (Including brackets)	TBD kg TBD lb	
Connectors	See Selection Guide	
Mounting	Hose clamps or wall mount (Supporter Pole Diameter: 40-140mm)	
Colour	NCS 1502-R	
Bracket	Included	
* Typical		

Selection Guide

		Connector (F)	
		7/16	4.3-10
Mount	Single	MI-5130n	MI-5133n
	Dual	MI-5131n	MI-5134n

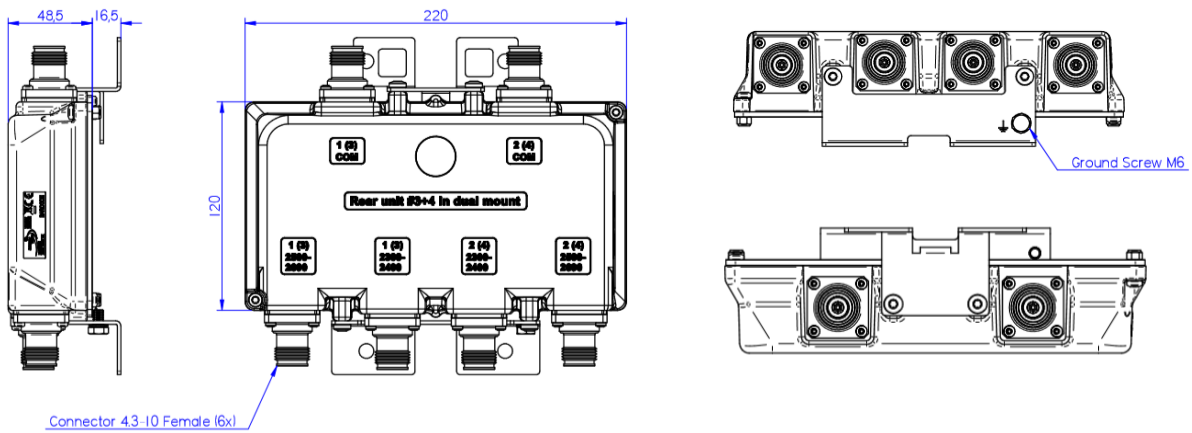
*The dual filter configuration is mounted on a single bracket for hose clamp or wall mount.

Block Diagram



Mechanical Drawing

*This picture is showing MI-5133n



*This picture is showing MI-5134n

