

PII-ANT002

Canister Antenna Mounting Kit (Ø10 in) – Installation Instructions

1.0 General

Read the following instructions carefully to ensure that installation of a Kaelus Canister Antenna with mounting bracket are performed safely and correctly.

2.0 Installation Safety

The installer should always be cautious of their surroundings and assume that all neighboring wires and cables could be live with potentially dangerous or even lethal levels of AC or DC power, or RF energy. This includes telephone wires in addition to commonly used radio telecommunications cables.

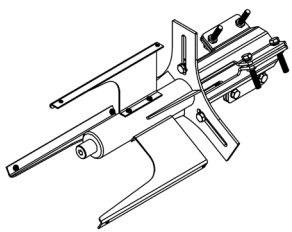
3.0 Product Information and Functionality

The packing contains:

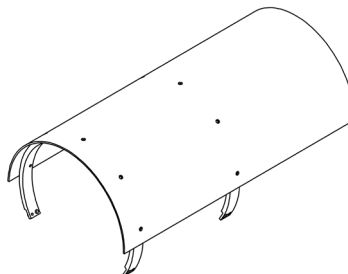
- KIT-000040 – Mounting Bracket for Canister Antenna: Top Pole Mount [Ø 2.4-6.3 in]
- or
- KIT-000041 – Mounting Bracket for Canister Antenna: Top Pole Mount [Ø 5.5-8.7 in]

This document describes how to install a Kaelus Canister Antennas with either of the above listed kits.

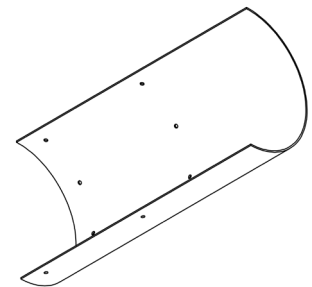
3.1 What's in the box?



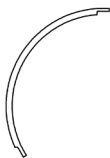
1x Pre-assembled mounting bracket
[with SCR-000032-V7 (6x) and
SCR-000032-V5 (3x)]



1x RDM-000030: Pre-assembled
shroud [with support SPT-000055 (4x)
and SCR-000017-V4 (8x)]



1x RDM-000034: Shroud



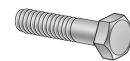
2x SPT-000055:
Support



6x SCR-000032-V6
(M8x1.25 L100)



10x SCR-000017-V4
(M5x16 PH)



4x SCR-000008-V1
(M4x6 FH)

PII-ANT002

Canister Antenna Mounting Kit (Ø10 in) – Installation Instructions

4.0 Installation

There are two variations on the installation instructions which are dependent on the use or non-use of the included shroud:

- 4.1 INSTALLATION – With Shroud
- 4.2 INSTALLATION – Without Shroud

Tools required for assembly are:

- Standard metric wrench set
- Torque wrench
- T20 screw driver
- T25 screw driver
- Loctite 243 (or equivalent)

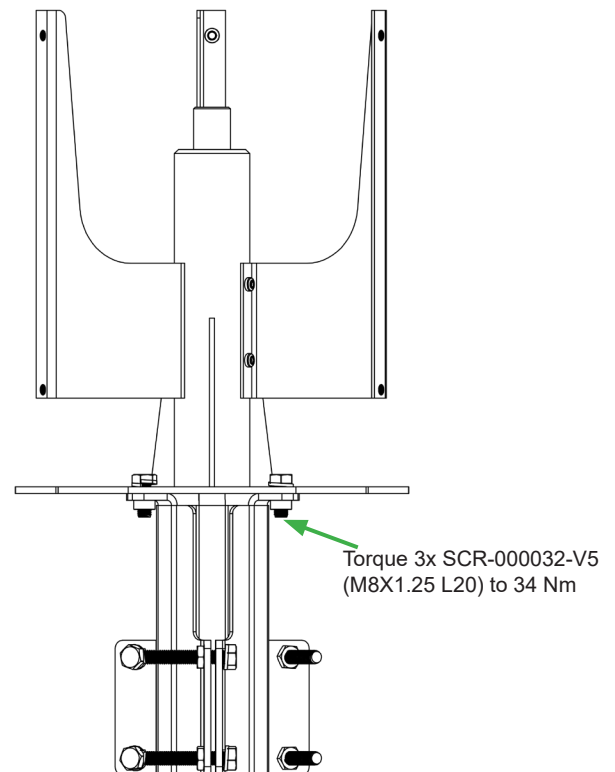
4.1 Installation – With Shroud

4.1.1 Step 1

Mount the preassembled bracket to the top of a pole.

Tighten 3x SCR-000032-V5 to 34 Nm.

The bracket is preassembled with SCR-000032-V7 (M8x1.25 L50). For larger poles, use the longer screws SCR-000032-V6 (M8x1.25 L100) which are included within the packing.



PII-ANT002

Canister Antenna Mounting Kit (Ø10 in) – Installation Instructions

4.1.2 Step 2

Mount the Antenna to the bracket.

Use loctite 243 (or equivalent), and tighten firmly by hand.

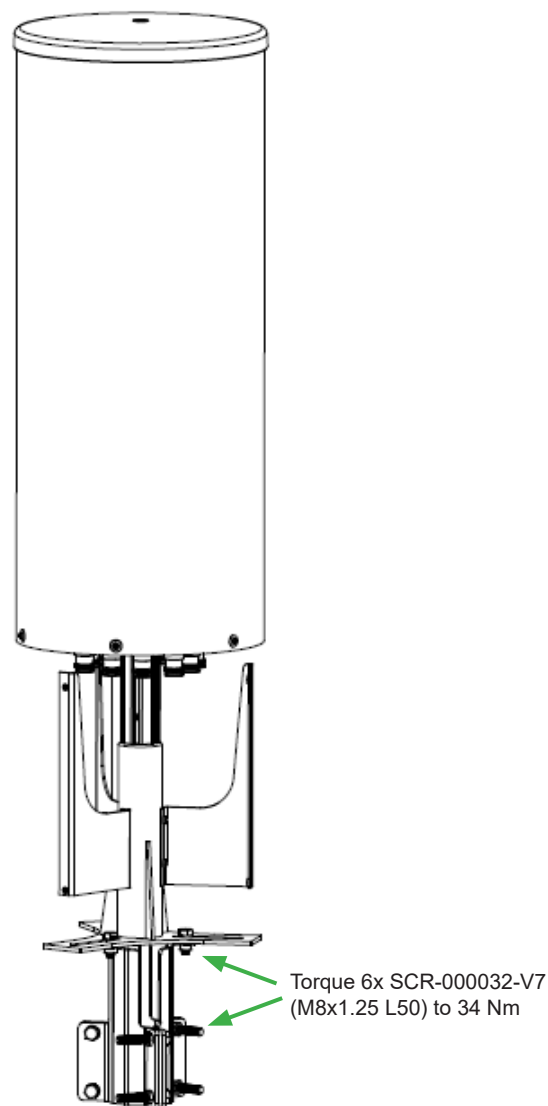
4.1.3 Step 3

Orient antenna in preferred zero-direction (0° indicator is located on antenna bottom) and tighten 6x SCR-000032-V6/7 to 34 Nm.

4.1.4 Step 4

Connect the RF cables to the ports located at the base of the antenna.

The ports are color coded in accordance to AISG Standard Antenna Port Colour Coding V3.2.1.

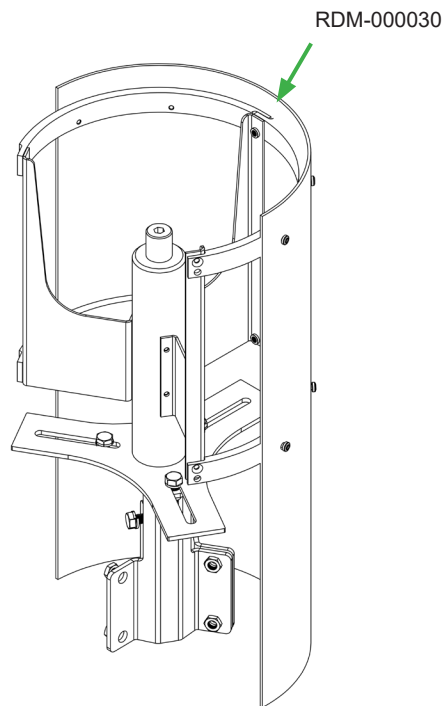


PII-ANT002

Canister Antenna Mounting Kit (Ø10 in) – Installation Instructions

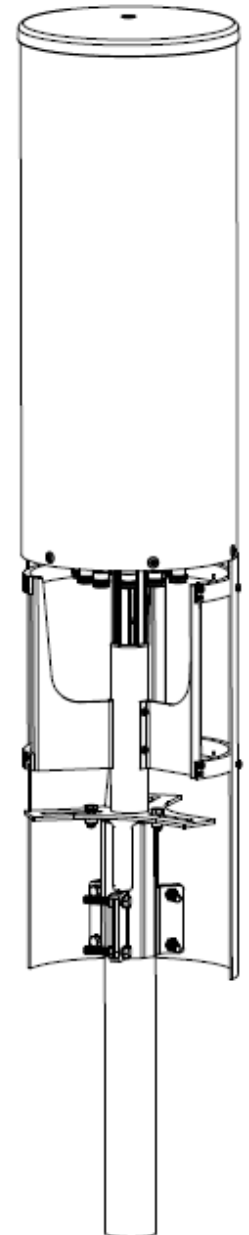
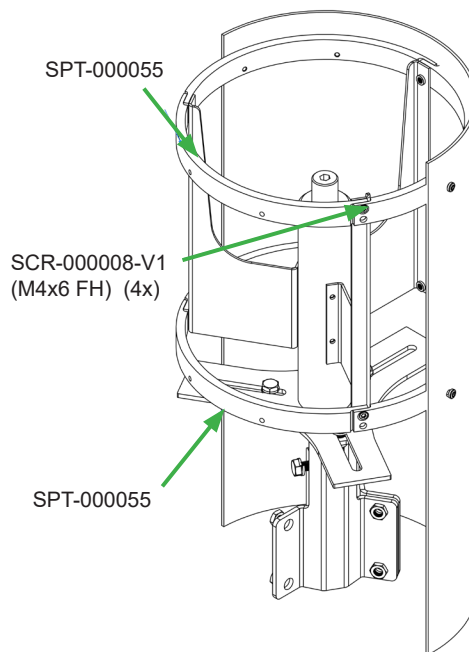
4.1.5 Step 5

Mount the pre-assembled shroud [RDM-000030] to the bracket assembly with 2x SCR-000017-V4 (M5x16 PH).



4.1.6 Step 6

Attach the shroud supports [2x SPT-000055] using 4x SCR-000008-V1.

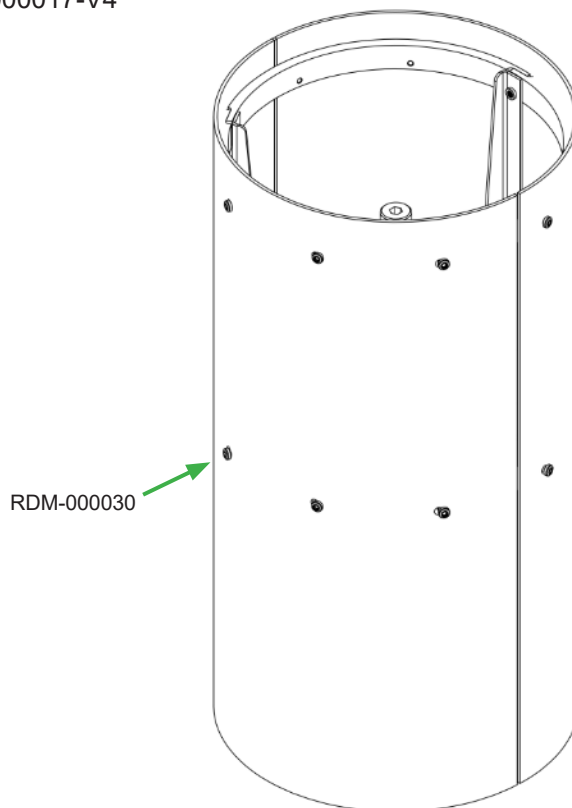


PII-ANT002

Canister Antenna Mounting Kit (Ø10 in) – Installation Instructions

4.1.7 Step 7

Attach the shroud section [RDM-000034] to the supports [2x SPT-000055] using 8x SCR-000017-V4 at all of the position where it is threads.



4.1.8 Step 8

Antenna and bracket installation is complete.

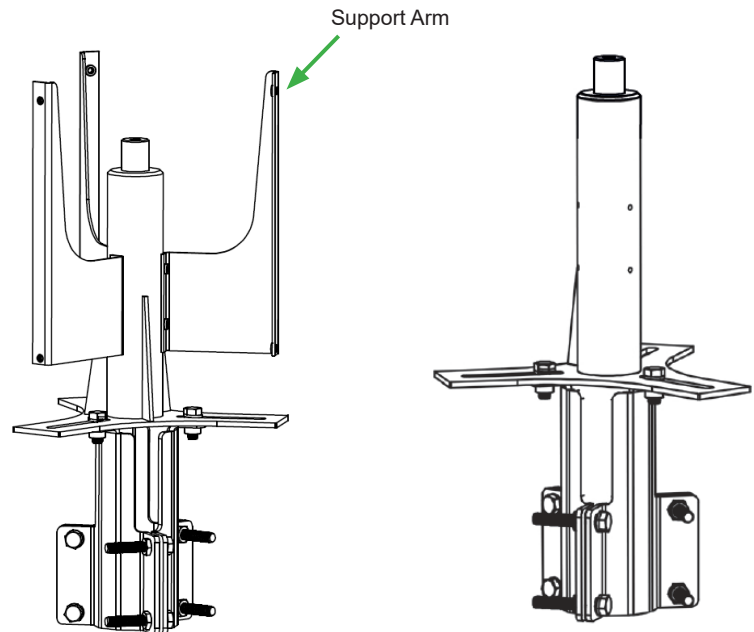
PII-ANT002

Canister Antenna Mounting Kit (Ø10 in) – Installation Instructions

4.2 Installation – Without Shroud

4.2.1 Step 1

Remove the support arms from the preassembled bracket.

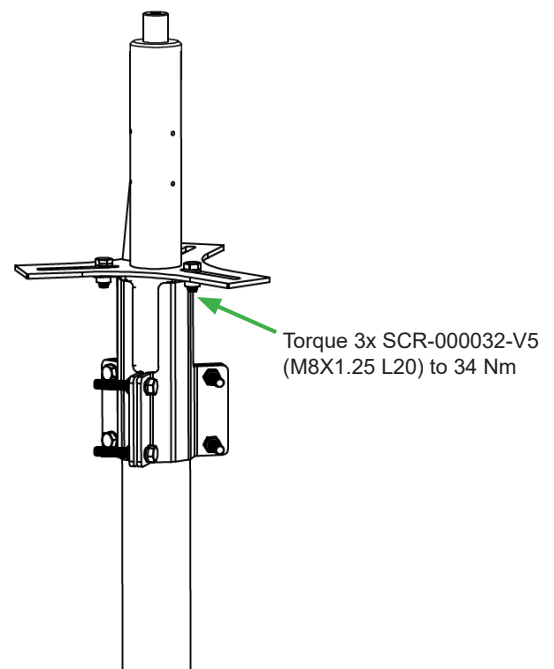


4.2.2 Step 2

Mount the bracket to the pole.

Tighten 3x SCR-000032-V5 to 34 Nm.

The bracket is preassembled with SCR-000032-V7 (M8x1.25 L50). For larger poles, use the longer screws SCR-000032-V6 (M8x1.25 L100) which are included within the packing.)



PII-ANT002

Canister Antenna Mounting Kit (Ø10 in) – Installation Instructions

4.2.3 Step 3

Mount the Antenna to the bracket.

Use loctite 243 (or equivalent), and tighten firmly by hand.

4.2.4 Step 4

Orient antenna in preferred zero-direction (0° indicator is located on antenna bottom) and tighten 6x SCR-000032-V6/7 to 34 Nm

4.2.5 Step 5

Connect the RF cables to the ports located at the base of the antenna.

The ports are color coded in accordance to AISG Standard Antenna Port Colour Coding V3.2.1.

4.2.6 Step 6

Antenna and bracket installation is complete.

