



# MI-572nn

## Triplexer

### 617-960/1695-1780, 2110-2200/ 1850-1990 MHz



This picture is showing MI-5723n

## MASS™

With our expertise in site system design we are able to provide a solution for any site sharing or upgrade scenario.

Our focus area is RF-filter based solutions including combiners, multi band TMAs, di-, tri- and quadruplexers.

Our product portfolio supports all frequencies for mobile communication bands ranging from 450 MHz to 6 GHz.

Site and network sharing makes it cost efficient to reach sparsely populated areas where new subscribers can contribute to revenue.

## MASS™ Advantage

**Increases coverage**  
more traffic & higher ARPU

**Increases capacity**  
more traffic & higher ARPU

**Reduces the cost**  
of network expansion

**Minimizes**  
site acquisition issues

## Specifications

Port 1 (600 - 900) - Common		
Frequency Band	617 - 960 MHz	
Insertion Loss	< 0.2 dB*	
Return Loss	> 20 dB	
Rejection 1695 - 2200 MHz	> 50 dB	
Continuous Average Power	250 W	
Intermod. (IM3), 2x43 dBm TX Carrier	-117 dBm	
Port 2 (AWS) - Common		
Frequency Band	1695 - 1780 MHz	2110-2200 MHz
Insertion Loss	< 0.2 dB*	< 0.2 dB*
Return Loss	> 20 dB	> 20 dB
Rejection 617 - 960 MHz	> 50 dB	
Rejection 1850 - 1990 MHz	> 50 dB	
Continuous Average Power	250 W	
Intermod. (IM3), 2x43 dBm TX Carrier	-117 dBm	
Port 3 (PCS) - Common		
Frequency Band	1850 - 1990 MHz	
Insertion Loss	< 0.2 dB*	
Return Loss	> 20 dB	
Rejection 617 - 960 MHz	> 50 dB	
Rejection 1695 - 1780, 2110-2200 MHz	> 50 dB	
Continuous Average Power	250 W	
Intermod. (IM3), 2x43 dBm TX Carrier	-117 dBm	
Environmental		
Operating Temperature Range	-40° to +65°C   -40° to +149°F	
Environmental	ETS 300 019-1-4 Class 4.1E	
Ingress Protection	IP68	
Safety	IEC/EN 62368-1	
Electrical		
Lightning Protection	+/-5 kA 8/20 µs	With Auto-Sense +/-5 kA 8/20 µs
DC Pass Current	3.0 A continuous max	2 A, drop max 2.4V
AISG pass	Yes	
AISG RL		> 12 dB
AISG Loss		< 1 dB
MTBF	1 Mh min	1 Mh min
Input Voltage Power		8-30 V Max 0.3W
Mechanical		
	Single Mount	Dual Mount
Dimensions (WxHxD)	192x147.5x51.3 mm 7.56x5.81x2.02 in	192x147.5x95 mm 7.56x5.81x3.74 in
With Auto-Sense	192x147.5x62.3 mm 7.56x5.81x 2.45 in	192x147.5x123.6 mm 7.56x5.81x4.87 in
Volume	1.5 l	2.7 l
With Auto-Sense	TBD	TBD
Weight	< 3kg   < 6.61 lb	TBD
With Auto-Sense	TBD	TBD
Connectors	See Selection Guide	
Mounting	Hose clamps or wall mount (Supporter Pole Diameter: 40-140mm)	
Colour	NCS 1502-R (light grey)	
Bracket	Included	
* typical		



# MI-572nn

## Triplexer

617-960/1695-1780, 2110-2200/  
1850-1990 MHz

### Selection Guide

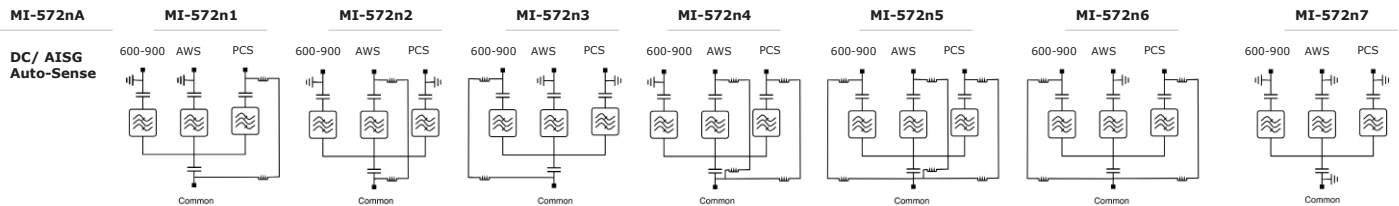
		Connector (F)
		4.3-10
Mount	Single	MI-5723n
	Dual	MI-5724n

\*The dual filter configuration is mounted on a single bracket for hose clamp or wall mount.

### DC/AISG

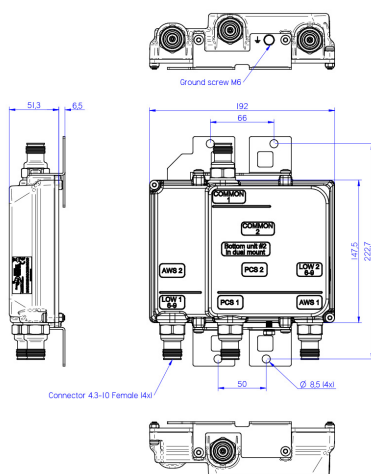
	600-900	1695-1780, 2110-2200	1850-1990
MI-572nA	Auto-Sense		
MI-572n1	Block	Block	Pass
MI-572n2	Block	Pass	Block
MI-572n3	Pass	Block	Block
MI-572n4	Block	Pass	Pass
MI-572n5	Pass	Pass	Pass
MI-572n6	Pass	Block	Pass
MI-572n7	Block	Block	Block

### Block Diagram

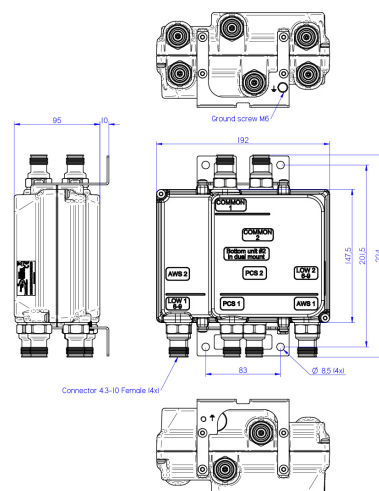


### Mechanical Drawing

This picture is showing MI-5723n



This picture is showing MI-5724n



This picture is showing MI-5724A

