



MI-554nn Diplexer 600/700



This picture is showing MI-5544n

MASS™

Microdata Advanced Site Solutions

With our expertise in site system design we are able to provide a solution for any site sharing or upgrade scenario.

Our focus area is RF-filter based solutions including combiners, multi band TMAs, di-, tri- and quadruplexers.

Our product portfolio supports all frequencies for mobile communication bands ranging from 450 MHz to 6 GHz.

Site and network sharing makes it cost efficient to reach sparsely populated areas where new subscribers can contribute to revenue.

MASS™

Advantage

Increases coverage

more traffic & higher ARPU

Increases capacity

more traffic & higher ARPU

Reduces the cost

of network expansion

Minimizes

site acquisition issues

Specifications

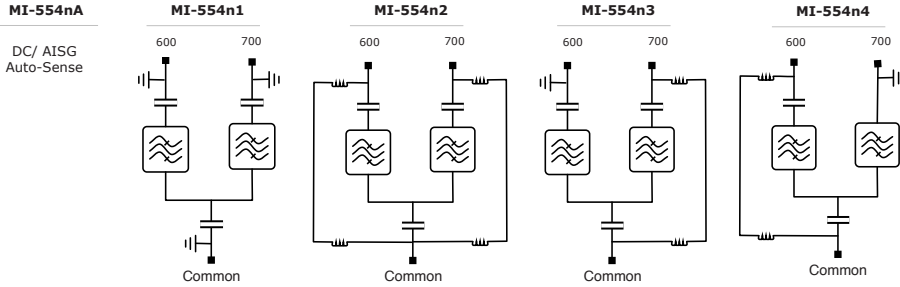
600		
Frequency Band	617 - 688 MHz	
Insertion Loss	<0.3 dB*, <0.55 dB max	
Return Loss	>20 dB	
Rejection 698 - 716 MHz	>20 dB	
Rejection 728 - 746 MHz	>50 dB	
Continuous Average Power	250 W	
Intermodulation, 2x43 dBm TX Carrier	-117 dBm	
700		
Frequency Band	698 - 746 MHz	
Insertion Loss	<0.3 dB*, <0.5 dB max	
Return Loss	>20 dB	
Rejection 663 - 688 MHz	>20 dB	
Rejection 617 - 642 MHz	>50 dB	
Continuous Average Power	250 W	
Intermodulation, 2x43 dBm TX Carrier	-117 dBm	
Environmental		
Operating Temperature Range	-40 to +65°C -40 to +149°F	
Operation	ETS 300 019-1-4 Class 4.1E	
Storage	ETS 300 019-1-1 Class 1.2	
Ingress Protection	IP67	
Electrical		With Auto-Sense
DC By Pass	3 A	2A, drop max 2.4V
AISG pass	Yes	
AISG RL		>12dB
AISG Loss		< 1 dB
Lightning Protection	5 kA 8/20 µs	10 kA 8/20 µs
Input Voltage Power		8-30 V max 0.3 W
Mechanical		4:2 version
Dimensions (WxHxD)	300x160x73 mm	
	11.81x6.30x2.87 in	
With Auto-Sense	300x160x73 mm	
	11.81x6.30x2.87 in	
Volume	3.5 l	
With Auto-Sense	3.5 l	
Weight (including brackets)	3.7 kg 8.16 lb	
With Auto-Sense	3.7 kg 8.16 lb	
Connectors	4.3-10 f	
Mounting	Hose clamps or wall mount (Supporter Pole Diameter: 40-140mm)	
Colour	NCS 1502-R	
Bracket	Included	
Wind load	294 N @70 m/s	
	8:4 version	
Dimensions (WxHxD)	300x160x116 mm	
	11.81x6.30x4.57 in	
With Auto-Sense	301x161x145 mm	
	11.85x6.34x5.71 in	
Volume	5.6 l	
With Auto-Sense	7.0 l	
Weight (including brackets)	6.7 kg 14.77 lb	
With Auto-Sense	7.2 kg 15.87 lb	
Connectors	4.3-10 f	
Mounting	Hose clamps or wall mount (Supporter Pole Diameter: 40-140mm)	
Colour	NCS 1502-R	
Bracket	Included	
Wind load	294 N @70 m/s	
Versions		
4:2 Diplexer (4 band 2 common)	MI-5543n	
8:4 Diplexer (8 band 4 common)	MI-5544n	

Selection Guide

		Connector (4.3-10 f, long neck)
Mount	4:2	MI-5543n
	8:4	MI-5544n

Auto-Sense: MI-554nA

Block Diagram

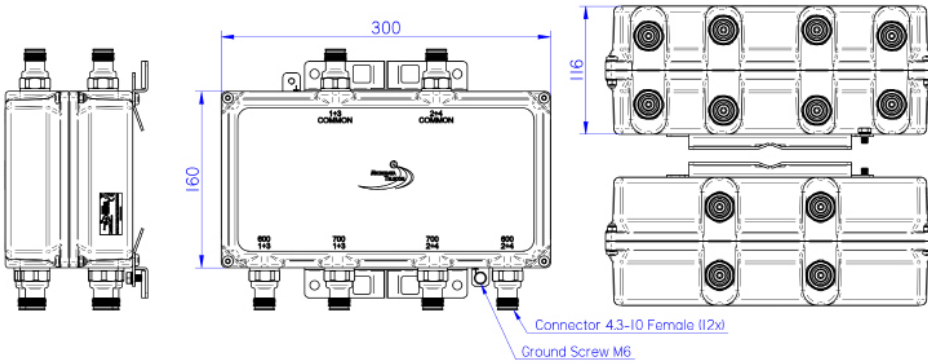


DC/AISG

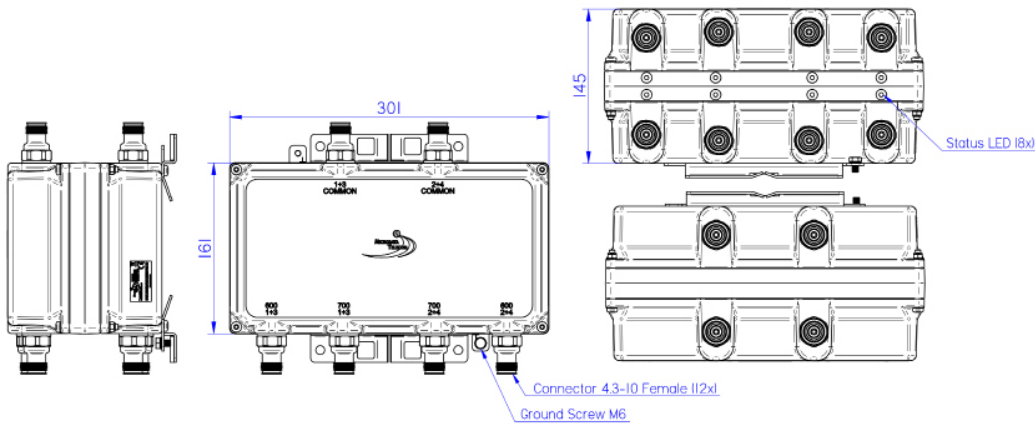
	600	700
MI-554nA	Auto-Sense	
MI-554n1	Block	Block
MI-554n2	Pass	Pass
MI-554n3	Block	Pass
MI-554n4	Pass	Block

Mechanical Drawing

The picture is showing MI-5544n



The picture is showing MI-5544A



The picture is showing MI-5543n

