



# MI-703nn Diplexer 800/900 E-GSM



\*This photo is showing MI-7034n

The MI-703nn family of cavity diplexer products, include:

- **MI-703nA**, diplexer with DC/AISG Auto-Sense
- **MI-703n1**, diplexer with all ports DC grounded
- **MI-703n2**, diplexer with DC/AISG on Common – High & Low Band
- **MI-703n3**, diplexer with DC/AISG on Common - High Band, Low port DC grounded
- **MI-703n4**, diplexer with DC/AISG on Common - Low Band, High port DC grounded

## MASS™

### Microdata Advanced Site Solutions

With our expertise in site system design we are able to provide a solution for any site sharing or upgrade scenario.

Our focus area is RF-filter based solutions including combiners, multi band TMAs, di-, tri- and quadruplexers.

Our product portfolio supports all frequencies for mobile communication bands ranging from 450 MHz to 6 GHz.

Site and network sharing makes it cost efficient to reach sparsely populated areas where new subscribers can contribute to revenue.

## MASS™

### Advantage

#### Increases coverage

more traffic & higher ARPU

#### Increases capacity

more traffic & higher ARPU

#### Reduces the cost

of network expansion

#### Minimizes

site acquisition issues

## Specifications

Low band		
Frequency Band	791 - 862 MHz	
Insertion Loss	0.2 dB*, 0.4 dB max.	
Return Loss	>18 dB	
Rejection 925- 960 MHz	>50 dB	
Continuous Average Power	400 W	
Intermodulation, 2x43 dBm TX Carrier	-117 dBm	
High Band		
Frequency Band	880 - 960 MHz	
Insertion Loss	0.2 dB*, 0.4 dB max.	
Return Loss	>18 dB	
Rejection 791 - 821 MHz	>50 dB	
Continuous Average Power	300 W	
Intermodulation, 2x43 dBm TX Carrier	-117 dBm	
Environmental		
Operating Temperature Range	-40 to +65°C   -40 to +149°F	
Operation	ETS 300 019-1-4 Class 4.1E	
Storage	ETS 300 019-1-1 1.2	
Ingress Protection	IP68	
Electrical		With Auto-Sense
DC By Pass	3 A	2A, drop max 2.4V
AISG pass	Yes	
AISG RL		>12dB
AISG Loss		< 1 dB
Lightning Protection		10 kA 8/20 μs
Input Voltage Power		8-30 V max 0.3 W
Mechanical		Single Mount      Dual Mount
Dimensions (WxHxD)	161x125x57 mm 6.33x4.92x2.24 in	161x125x106 mm 6.33x4.92x4.17 in
	With Auto-Sense 161x125x68 mm 6.33x4.92x2.68 in	161x125x134 mm 6.33x4.92x5.28 in
Volume	1.1 l	2.1 l
With Auto-Sense	1.4 l	2.7 l
Weight gross/net	2.3kg / 1.8kg   5.07lb / 3.97lb	3.0kg / 2.5kg   6.61lb / 5.51lb
With Auto-Sense	2.4kg / 1.9kg   5.29lb / 4.19lb	3.4kg / 2.9kg   7.49lb / 6.39lb
Connectors	See Selection Guide	
Mounting	Hose clamps or wall mount. Supporter Pole Diameter: 40-140mm	
Colour	NCS 1502-R	
Bracket	Included	
Shipping Information		Single Mount      Dual Mount
Carton Size	250x220x140 mm 9.84x8.66x5.51 in	260x240x203 mm 10.24x9.45x7.99 in
	Carton Qty/Pallet	72

\* Typical

## Selection Guide

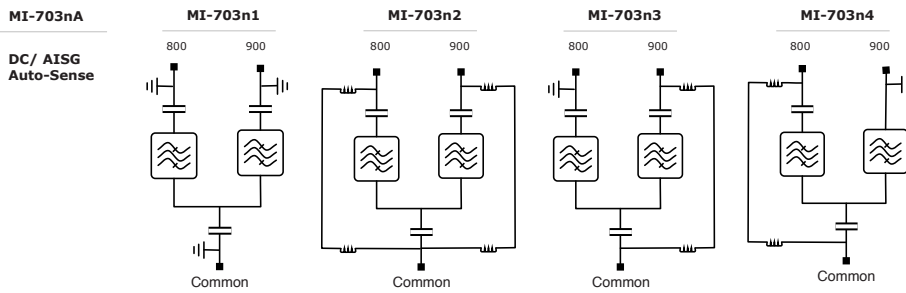
		Connector (F)	
		7/16	4.3-10
Mount	Single	MI-7030n	MI-7033n
	Dual	MI-7031n	MI-7034n

Auto-Sense: MI-703nA

\*The dual filter configuration is mounted on a single bracket for hose clamp or wall mount.

### Block Diagram

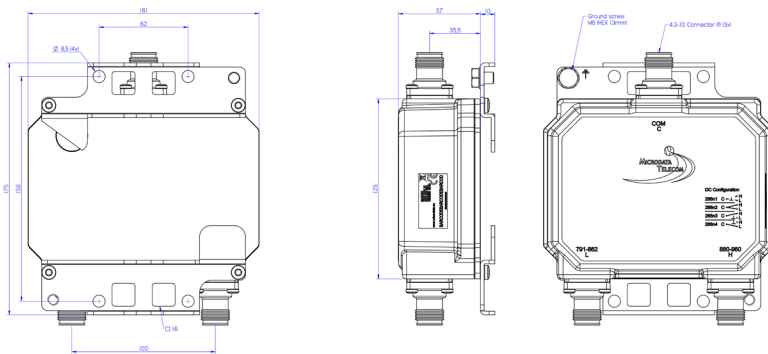
### DC/AISG



	800	900
<b>MI-703nA</b>	Auto-Sense	
<b>MI-703n1</b>	Block	Block
<b>MI-703n2</b>	Pass	Pass
<b>MI-703n3</b>	Block	Pass
<b>MI-703n4</b>	Pass	Block

### Mechanical Drawing

MI-7033n



MI-7034n

