

KA-6501

3.5GHZ INTERFERENCE MITIGATION FILTER

Ideal for use in 3.5GHz system designs. KA-6501 is a 3.5GHz interference mitigation filter. Designed for mass production.

FEATURES

- Designed for 3.5GHz interference mitigation
- Passband frequency can be retuned easily to fit customer specific solution
- High Interference Rejection
- Excellent insertion loss
- Very low weight



TECHNICAL SPECIFICATIONS

BAND NAME	TX/RX
Passband	3400-3600MHz
Insertion loss	0.8dB typical 1.0dB maximum
Return loss	17dB minimum
Maximum input power	6W (average) / 50W (PEP)

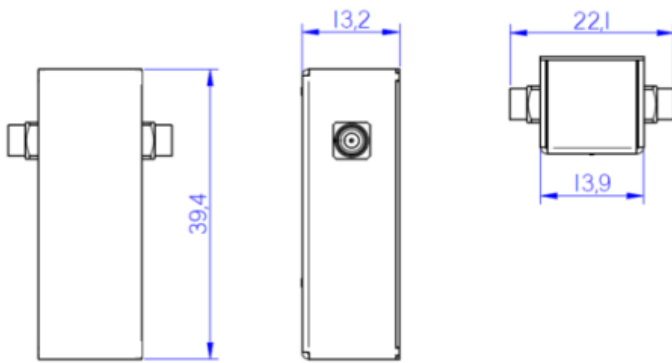
REJECTION	
0-2690MHz	75dB
2690-2900MHz	70dB
2900-3300MHz	40dB
3300-3340MHz	27dB
3340-3360MHz	20dB
3640-3660MHz	20dB
3660-3700MHz	27dB
3700-4000MHz	40dB
4000-4200MHz	50dB
4200-5040MHz	60dB
5040-6800MHz	65dB
6800-8500MHz	60dB
8500-9500MHz	30dB
9500-11000MHz	12dB

ELECTRICAL	
Impedance	50ohms

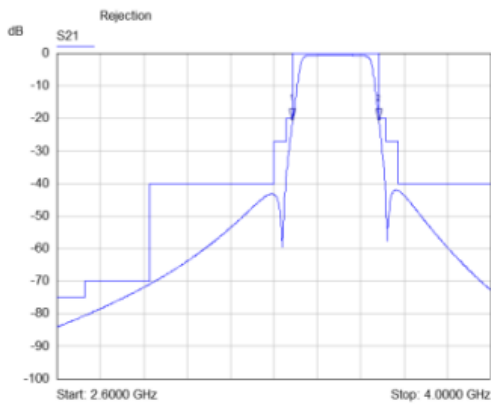
ENVIRONMENTAL	
For further details of environmental compliance, please contact Kaelus.	
Temperature range	-25°C to +105°C
Altitude	2000 meters
MTBF	>1,500,000 hours
Compliance	ETSI EN 300 019 class 4.1E, RoHS

MECHANICAL	
Dimensions H x D x W	13,2 x 39.4 x 13.9mm
Weight	14g
Finish	Silver plating
Connectors	Tabs
Mounting	Reflow soldering

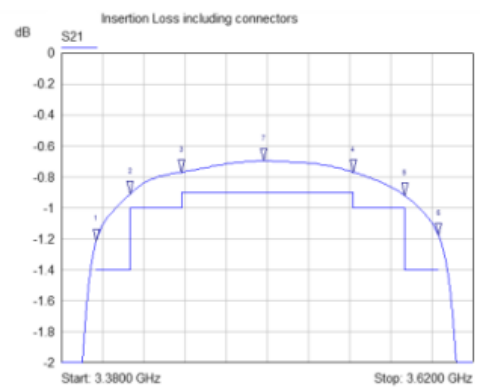
MECHANICAL BLOCK DIAGRAM



FILTER PLOTS



Mkr	Trace	X-Axis	Value	Notes
1	S21	3.3600 GHz	-21.00 dB	Req < -20 dB
2	S21	3.6400 GHz	-21.21 dB	Req < -20 dB



Mkr	Trace	X-Axis	Value	Notes
1	S21	3.4000 GHz	-1.22 dB	
2	S21	3.4200 GHz	-0.91 dB	
3	S21	3.4500 GHz	-0.77 dB	
4	S21	3.5500 GHz	-0.77 dB	
5	S21	3.5800 GHz	-0.92 dB	
6	S21	3.6000 GHz	-1.18 dB	
7	S21	3.4980 GHz	-0.70 dB	Min IL

